

DOC M Pack – Low Level, Basin (One Taphole), Rails + Seat, Lever (Chrome) DM215K/1TH/DB



Cistern Specification

Finish	White
Dimensions	–
Weight	–
Cistern Fitting Manufacturer	Wirquin
Lever	Spatula Lever
Lever Position	Universal
Inlet Position (When looking at WC)	Universal

Seat Specification

Finish	Dark Blue
Dimensions	–
Weight	–
Seat Hinge Material	Stainless Steel
Antibacterial Protection	No
Seat Type	Ring
UV Protection	Yes
Max Load Test	150kg
Seat Material	Urea Thermoset Formaldehyde (UF)

Pan Specification

Finish	White
Dimensions	–
Weight	–
Fixing Supplied	No
Fixing	Exposed

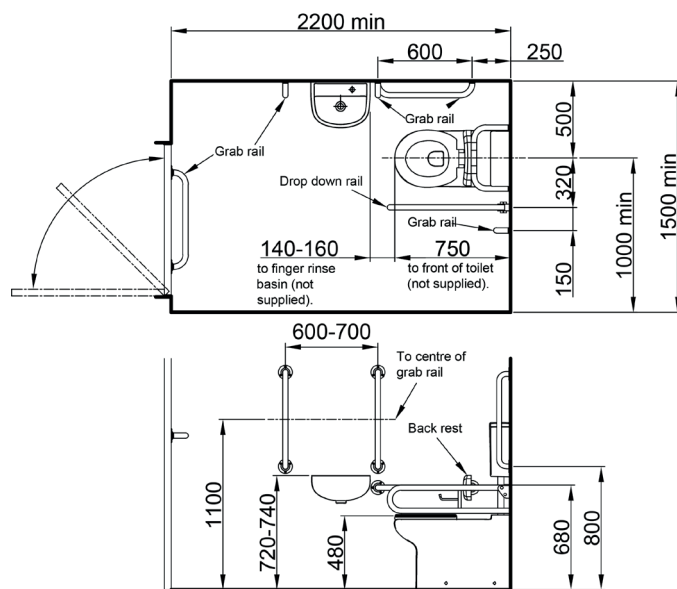
Basin Specification

Finish	White
Dimensions	–
Weight	–
Overflow	No
Chainstay	No
Taphole Positioning	Centre

FAQs

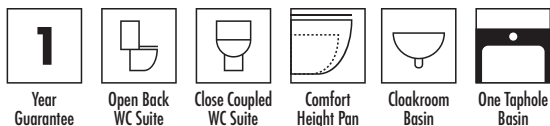
Please see next page

Certifications + Approvals



Above is for guidance only, refer to relevant building regulations (Only Nymas components shown. See data sheet for pack components).

Key Features + Benefits



Nymas

Royce House, Royce Avenue, Billingham, TS23 4BX. Technical Support – Tel: 01642 710 719 Email: sales@nymas.co.uk

All information on the data sheet is correct at the time of publication. All measurements are approximate and subject to standard tolerances.

DOC M Pack – Low Level, Basin (One Taphole), Rails + Seat, Lever (Chrome) DM215K/1TH/DB

FAQs

Q – What is included in the pack?

A – 5 x 600mm grab rails.
1 x 800mm lift + lock hinged rail.
1 x back rest rail with PU pad.
1 x low level WC pan + cistern.
1 x ring only toilet seat with stainless steel hinge.
1 x one taphole basin + fittings.
1 x sequential basin mixer tap.
1 x spatula cistern lever.
1 x WRAS approved cistern fittings.
1 x taphole cover.

Q – Is the pack compliant with industry regulations?

A – Yes, the pack is compliant with the Approved Document M of the Building Regulations 2000, is WRAS and LABC approved.

Q – Is this cistern single or dual flush?

A – Single.

Q – Is this pan rimless or box rim?

A – Box.

Q – What's the maximum test load of the seat?

A – 150kg.

Q – Is the seat hinge standard or soft close?

A – Standard.

Q – Is the seat hinge fixing standard, quick release or top fix?

A – Standard.