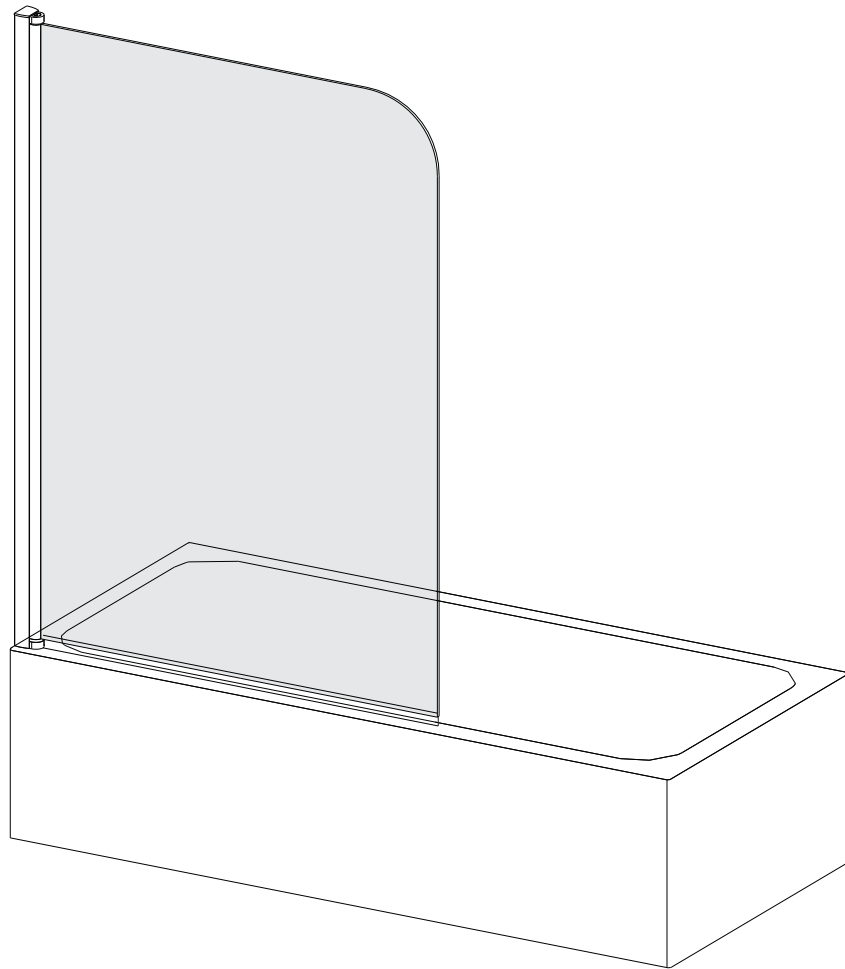


CURVED BATHSCREEN



INSTALLATION INSTRUCTIONS

IMPORTANT

Please familiarise yourself with the fitting instructions before commencing fitting.

1. Check that you have the tools required.
2. Check that the installation site is compatible with size of door supplied.
3. Check all the enclosure components.
4. Check that the installation kit is complete.

DO NOT attempt to install the product unless you can tick ALL 4 boxes as satisfactory.

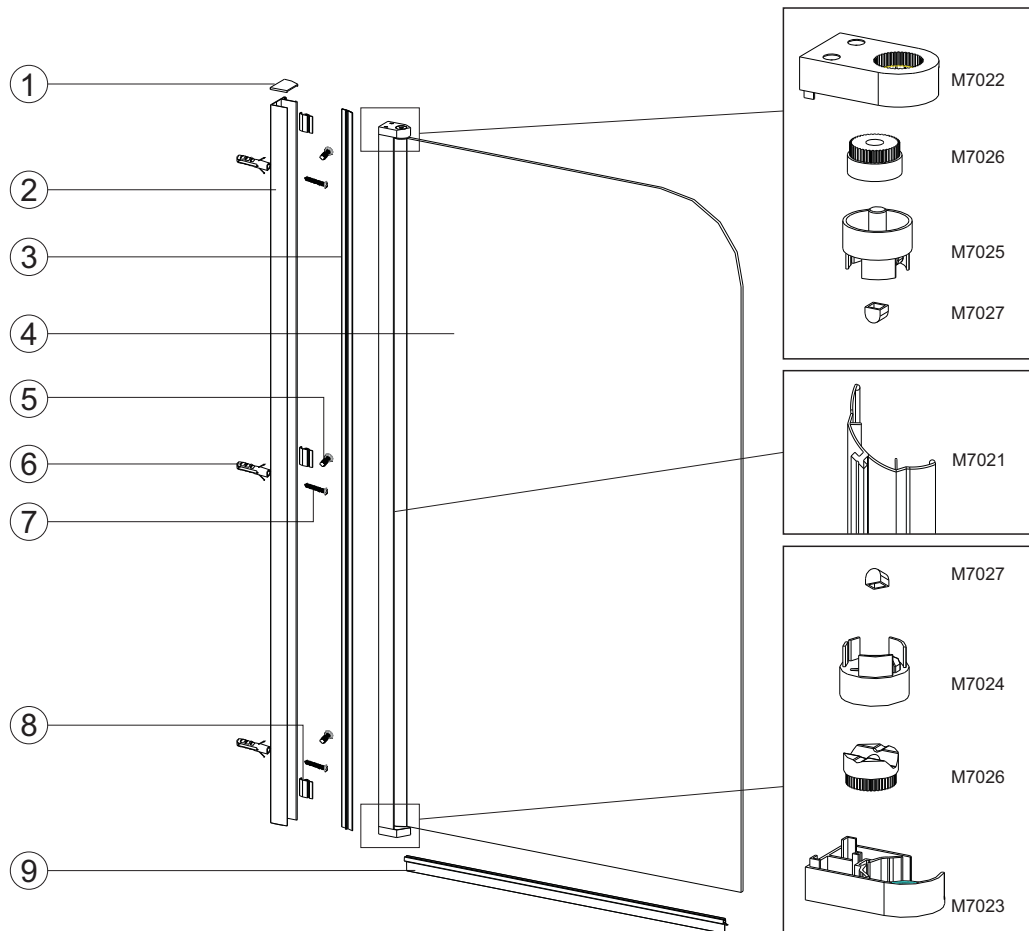
The wall plugs supplied with the installation kit are for use in solid walls. Hollow or 'stud-partition' walls will require alternative fixings. Please consult a hardware supplier for the correct type.

It may also be necessary to consult your tiling supplier about the correct method for drilling your tiles.

USE SAFETY EYEWEAR WHEN DRILLING

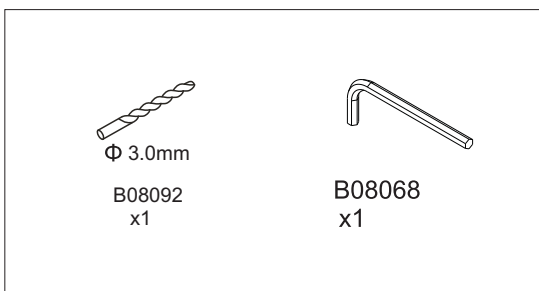
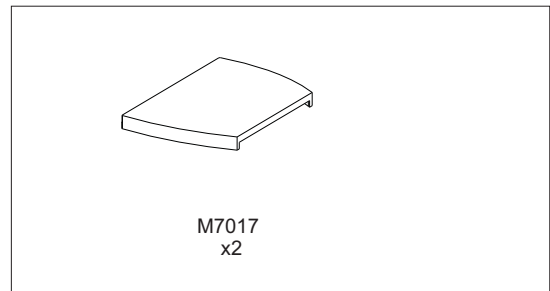
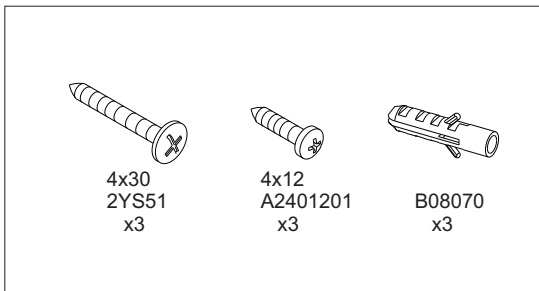
Any parts missing or damaged must be reported to your supplier within 5 days of purchase.
Inspect shower enclosure before fitting. No claims will be acceptable after product has been installed.

COMPONENTS AND BOX CONTENTS



No.	Description	QTY	Part No.	No.	Description	QTY	Part No.
1	Cover cap for wall profile L/R	2	M7017	6	∅6 x 30 wall plug	3	B08070
2	Wall profile	1	M7013	7	Flat head screw ST4x30	3	2YS51
3	Cover strip	1	M7004	8	Plastic part for cover strip	3	M7009
4	Moving panel	1	A	9	Bottom seal	1	M7020
5	Screw ST4x12	3	A2401201				

FIXING KIT COMPONENTS, TOOLS REQUIRED



Tools Required

- 6mm masonry drill bit
- Spanner
- Power drill
- Quality Silicone
- Pencil
- Tape Measure
- #2 Philips Head screw driver
- Spirit level with horizontal and vertical level indicators

IMPORTANT – Installation site

1. Ensure the top surface of the shower tray on which the enclosure will be installed is level in every direction.
2. The tiles or other wall finishing should be effectively sealed at the tray edges.
3. Tiles should extend at least to the corners of the tray and a minimum of 2.0 metres from the top of the tray.

FITTING THE WALL PROFILE

1. Position the wall profile so the seal on the moving panel sits on the inside edge of the bath. **Fig 1.**

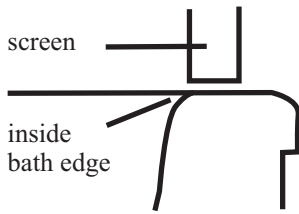


FIG 1

2. Plumb the wall profiles using the vertical element of the spirit level. Mark 3 holes, drill with 6mm masonry bit and fit wall plugs. Using the 3 screw fix wall profile to wall. **Fig 2.**

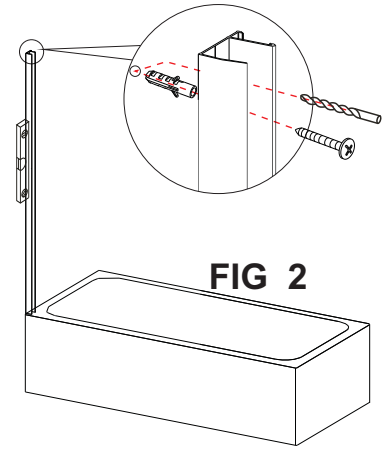
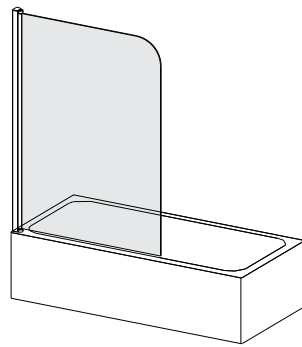
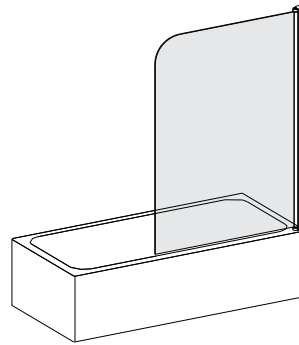


FIG 2

3. Ensure rising butt (Fig3/C) is to the bottom, if not reverse by loosening screws as in A. Swing screen around and tighten screws as in F'



LH



RH

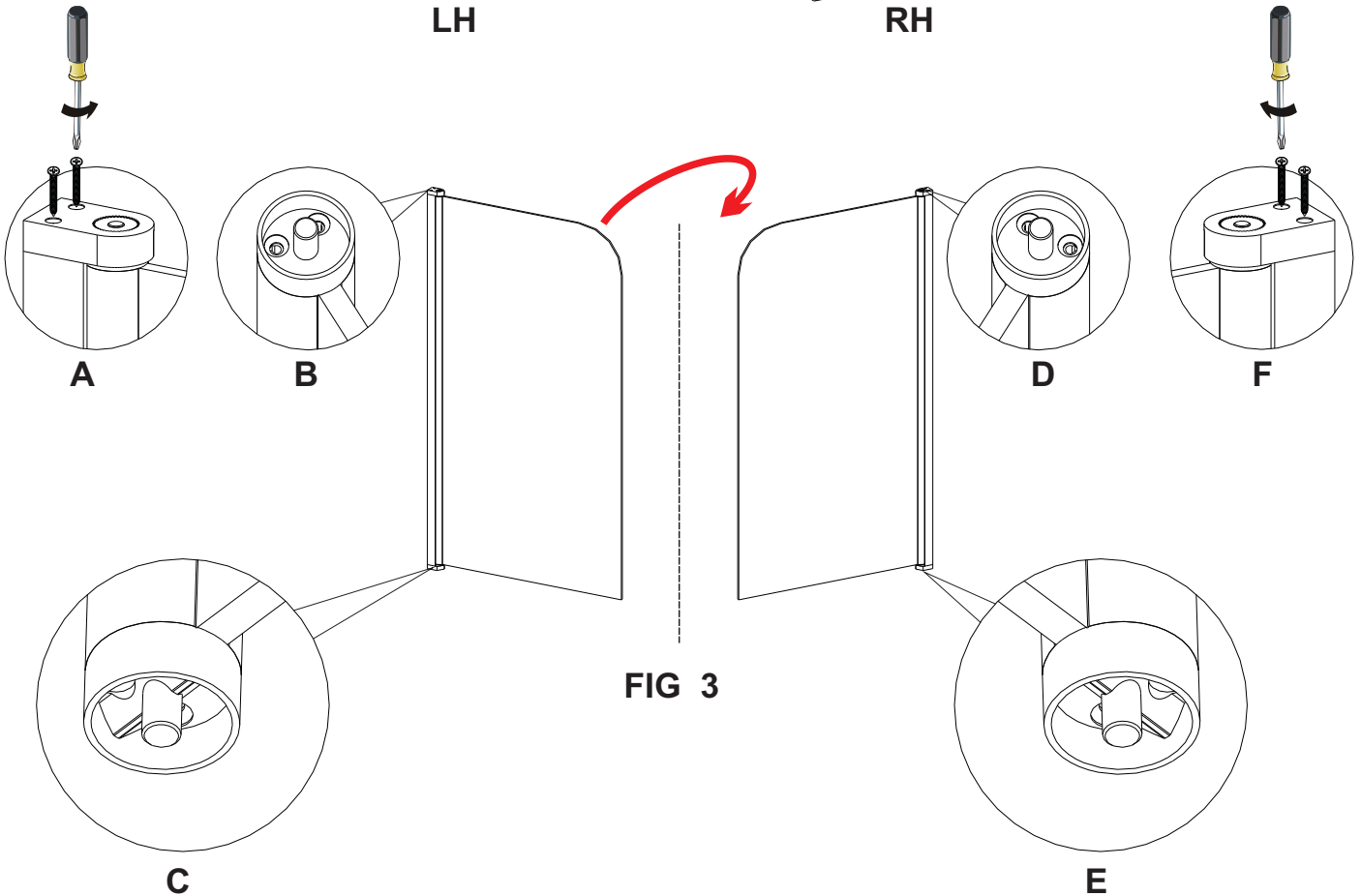


FIG 3

INSTALL MOVING PANEL

4. Insert the screen into the wall profile. Ensure the bottom edge of the moving panel is parallel to the top surface of the bath. Make sure open side of bracket is to the inside. **Fig4.**

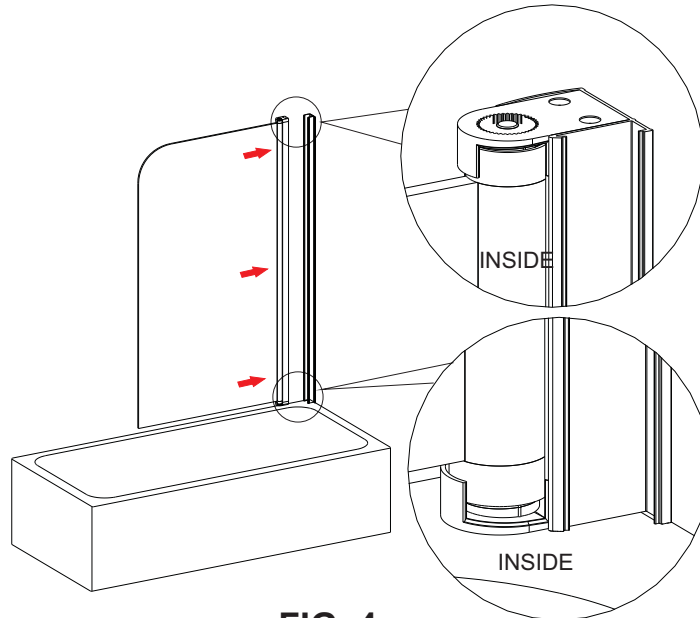


FIG 4

5. Drill 3 holes through the wall profile and fixed panel using a 3.0mm steel drill bit **B08092** Using the screw, fix the screen upright profile to the wall profile in 3 places. **Fig 5.**

6. Attach the cover strip to the wall profile. Starting at the bottom firmly press cover strip into place and gradually work from bottom to top **Fig 6.**

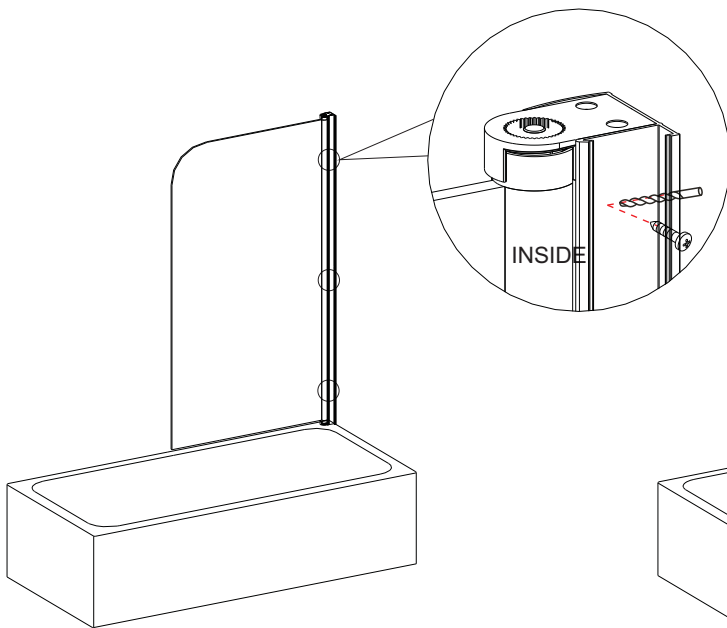


FIG 5

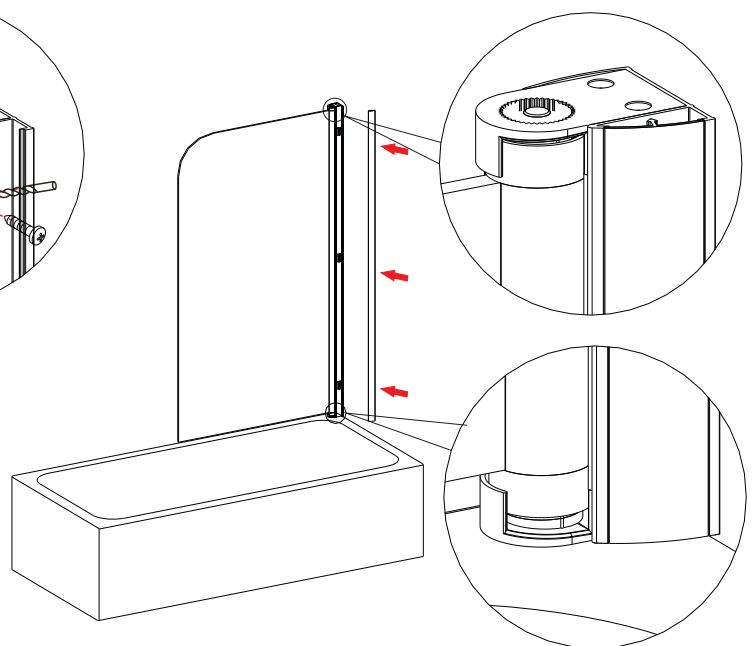


FIG 6

INSTALL MOVING PANEL

7. Fix top cover cap(M7017) to wall profile (M7013). **Fig 7.**

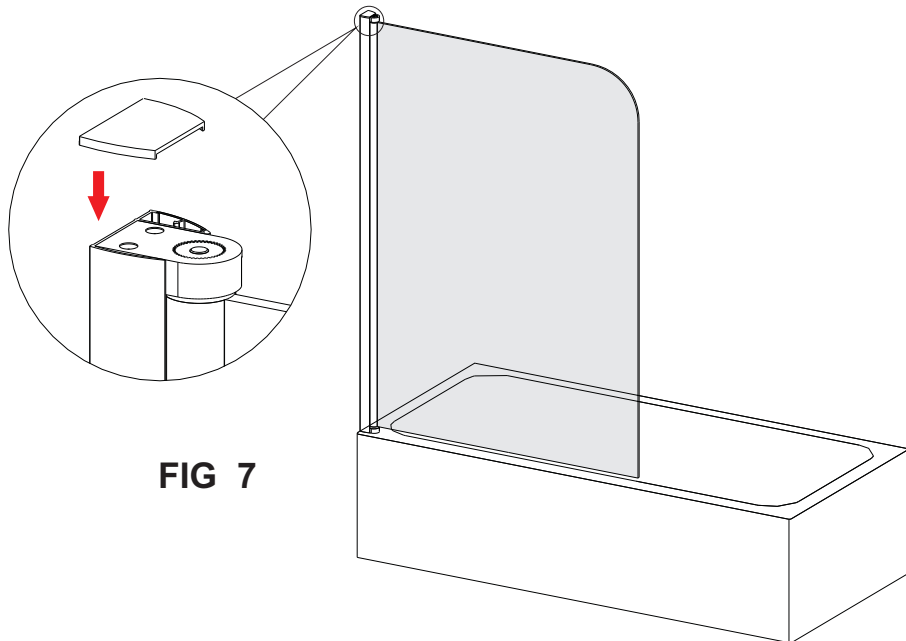


FIG 7

8. Fix the bottom seal. **Fig 8.**

IMPOTANT: Cut 2mm from the end of the bottom fin. Slide the end of the seal onto the glass and tight against the bottom bracket. Push up the rest of the seal onto the glass edge ensuring the bottom fin is in contact with the bath edge.

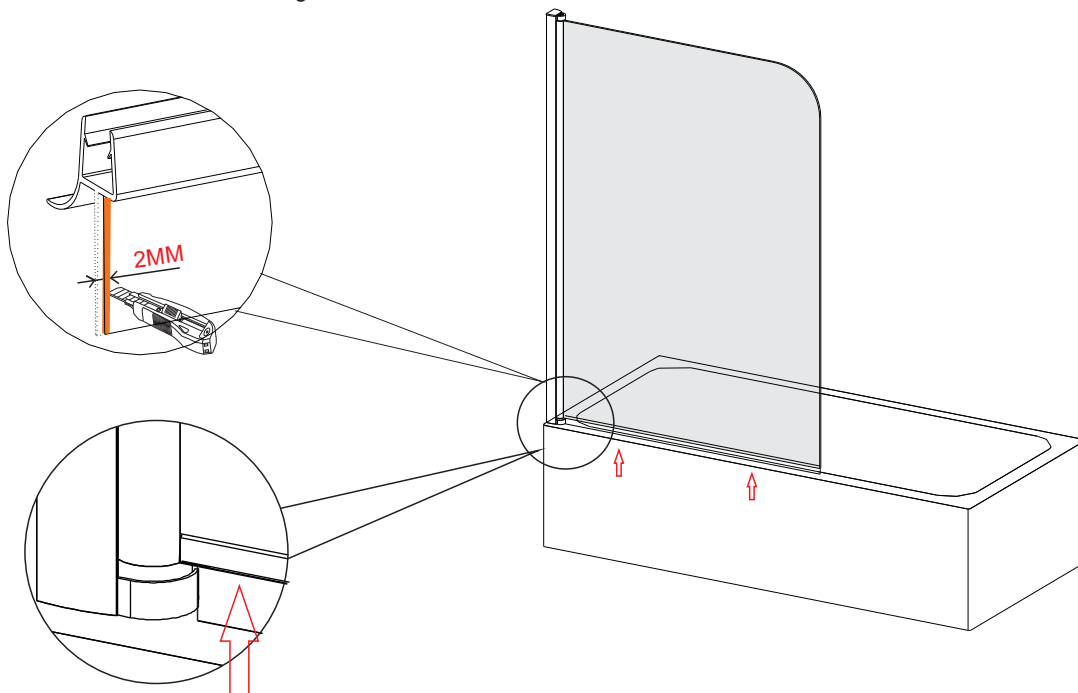


FIG 8

SEALING

9. Sealing. Fig 9.

Inside(dashed line):

When installation is complete seal the joint between the wall profile and the wall, top to bottom on the inside only.

SEAL where the wall profile and fixed panel sit on the bath.

Outside(full line)

From outside the screen, Seal along the bottom where the fixed panel, frame and wall profile meet the bath. Seal 50mm up where the frame meets the wall profile and where the wall profile meets the wall.



DO NOT USE THE ENCLOSURE FOR 24 HOURS AFTER SEALING

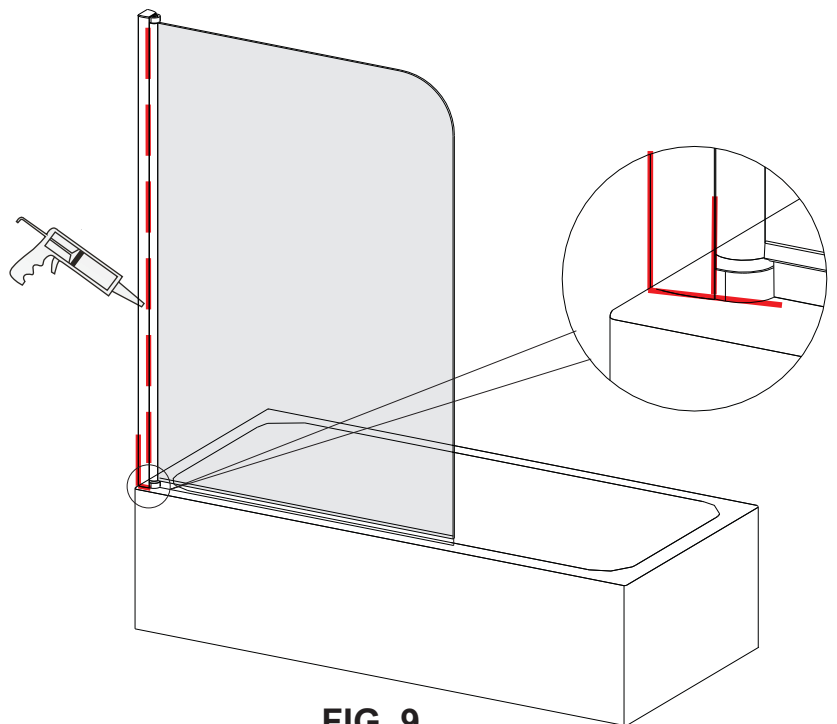


FIG 9

TROUBLE SHOOTING GUIDE

DOOR NOT ALIGNING

1. Is the Bath level ? (See page 1 of the site installation instructions.)
2. Are the wall profile plumb (Vertically aligned and checked with a spirit level)? (See step 2)