

Cuba Thermoset Sandwich, Soft Close, Seat & Cover INST03001-SF



Specification

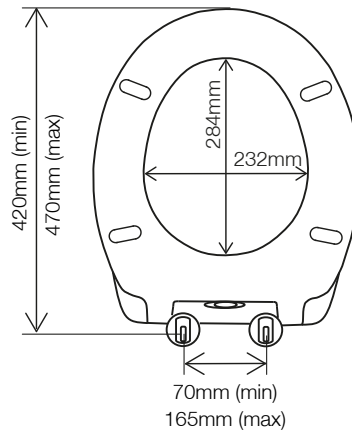
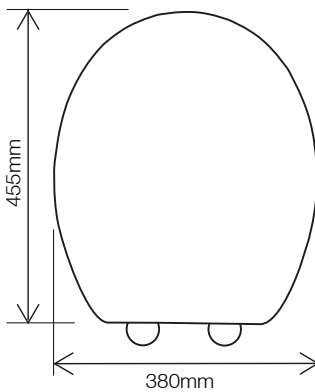
Finish	White
Dimensions	36(h) x 380(w) x 455(d) mm
Weight	1.8kg
Seat Hinge Material	Reinforced nylon base plates with stainless steel cover caps
Hinge Type	Soft close
Hinge Fixing Type	Quick release, Top Fix and Underfix, Secure-Fix QR
Antibacterial Protection	No
Seat Type	Sandwich
UV Protection	-
Max Load Test	150kg
Seat Material	Thermoset Sandwich

Spares

Secure Fix Hinge Fixing Pack	SP19730
Soft Close Hinge Fixing Pack (Top Fix components)	SP14947
Soft Close Hinge Fixing Pack (Under Fix components)	SP14948
White Buffers (2 x Lid)	SP14946
White Buffers (4 x Seat)	SP14945
Grey Buffers (2 x Lid and 4 x Seat)	SP19735

FAQs

Please see next page



Extra Dimensions

Seat/Lid Front to Back – 445mm
Seat/Lid Left to Right – 380mm
Ring Hole Front to Back – 284mm

Ring Hole Left to Right – 232mm
Seat Overall Thickness – 48mm

Key Features + Benefits



Years Guarantee



Quick Release



Top Fix Hinges



Soft Close Seat

Secure-Fix **QR**

Certifications + Approvals

Roper Rhodes

Brassmill Lane Trading Estate, Bath, BA1 3JF. Technical Support – Tel: 01225 303 900 Email: sales@roperrhodes.co.uk

All information on the data sheet is correct at the time of publication. All measurements are approximate and subject to standard tolerances.

Cuba Thermoset Sandwich, Soft Close, Seat & Cover INST03001-SF

FAQs

Q – What's the maximum test load of the seat?

A – 150kg.

Q – What are the fixings made from?

A – Stainless Steel Cover Plates/Screws, Nylon Anchor Plates, Rubber Washers, Rubber Fixing Plugs.