

Copse LED Illuminated Mirror

INST05049, INST05050, INST05051, INST05078, INST05079



Specification

	INST05049 (Rectangular)	INST05050 (Rectangular)	INST05051 (Rectangular)
Finish	White	White	White
Dimensions	700(h) x 450(w) x 26(d) mm	800(h) x 600(w) x 26(d) mm	600(h) x 1000(w) x 26(d) mm
Weight	14.2kg	10.8kg	12.7kg
Lighting Type	LED	LED	LED
Colour Changing Technology (CCT)	No	No	No
Switch Location	Front	Front	Front
Surface/Recess Fitting	Surface	Surface	Surface
Carcass/Frame Construction Material	Plastic	Plastic	Plastic
Glass Thickness	5mm	5mm	5mm

	INST05078 (Circular)	INST05079 (Circular)
Finish	White	White
Dimensions	600(diameter) x 27(d) mm	800(diameter) x 27(d) mm
Weight	4kg	7kg
Lighting Type	LED	LED
Colour Changing Technology (CCT)	No	No
Switch Location	Front	Front
Surface/Recess Fitting	Surface	Surface
Carcass/Frame Construction Material	Plastic	Plastic
Glass Thickness	5mm	5mm

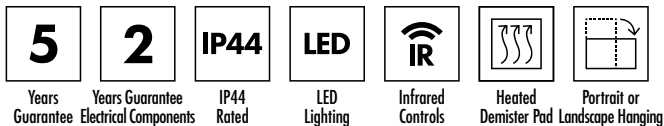
Features

Lighting	LED perimeter lighting
Controls	Contact free infrared switch
Hanging	Can be hung portrait or landscape

FAQs

Please see following pages

Key Features + Benefits



Certifications + Accreditations

Roper Rhodes

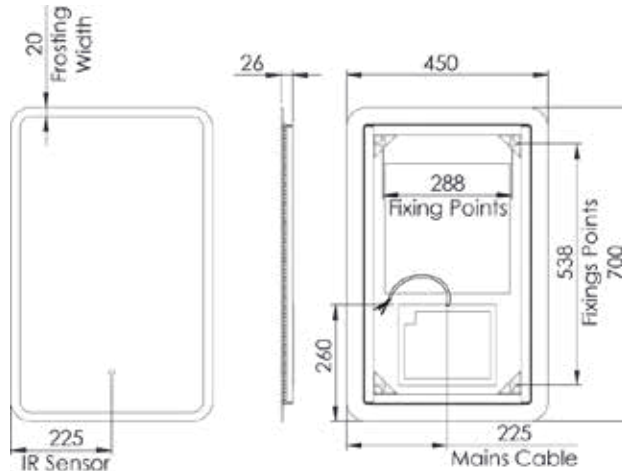
Brassmill Lane Trading Estate, Bath, BA1 3JF. Technical Support – Tel: 01225 303 900 Email: sales@roperrhodes.co.uk

All information on the data sheet is correct at the time of publication. All measurements are approximate and subject to standard tolerances.

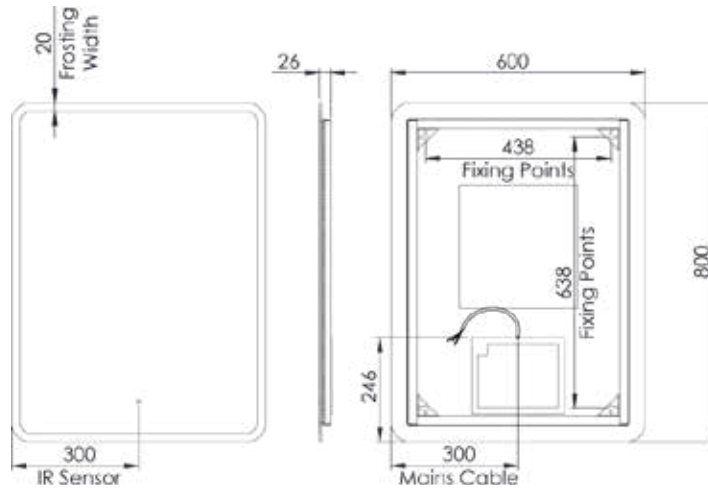
Copse LED Illuminated Mirror

INST05049, INST05050, INST05051, INST05078, INST05079

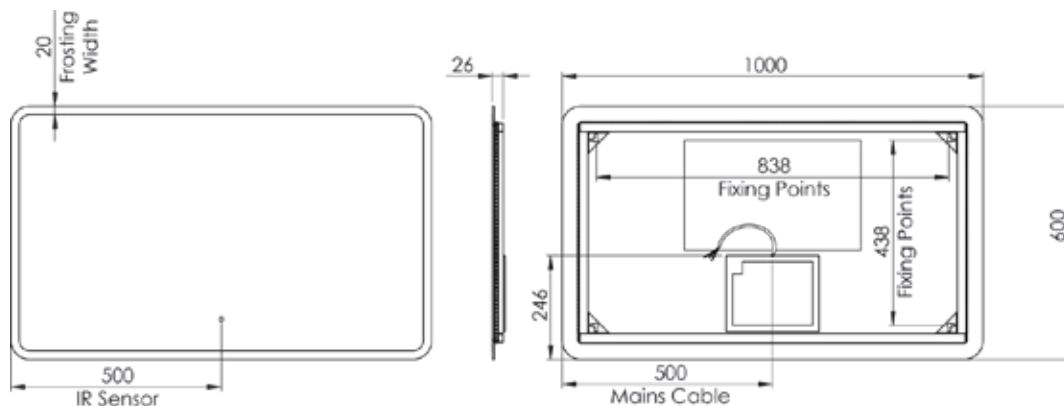
Rectangular (INST05049)



Rectangular (INST05050)



Rectangular (INST05051)



Roper Rhodes

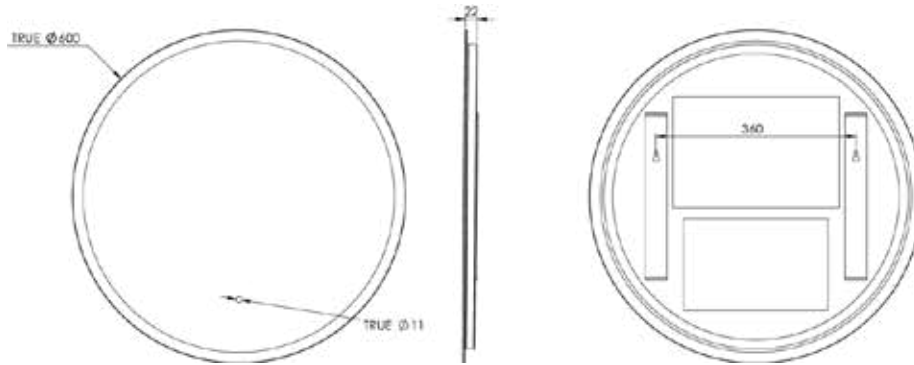
Brassmill Lane Trading Estate, Bath, BA1 3JF. Technical Support – Tel: 01225 303 900 Email: sales@roperrhodes.co.uk

All information on the data sheet is correct at the time of publication. All measurements are approximate and subject to standard tolerances.

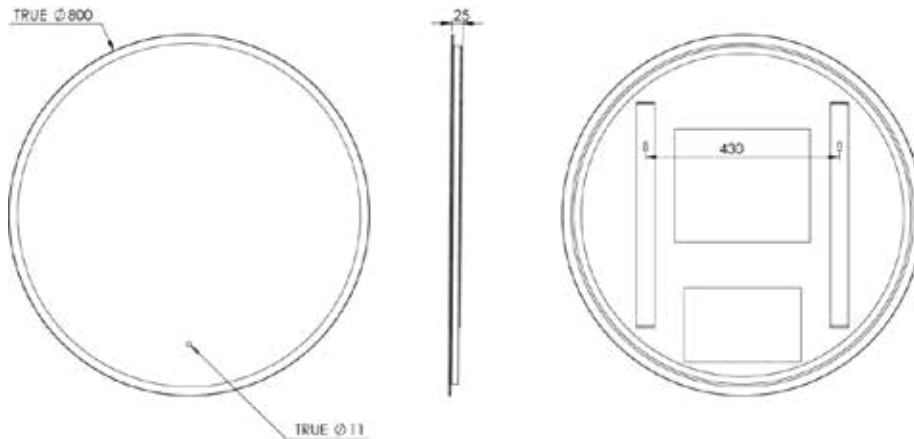
Copse LED Illuminated Mirror

INST05049, INST05050, INST05051, INST05078, INST05079

Circular (INST05078)



Circular (INST05079)



Copse LED Illuminated Mirror

INST05049, INST05050, INST05051, INST05078, INST05079

FAQs

	INST05049 (Rectangular)	INST05050 (Rectangular)	INST05051 (Rectangular)	INST05078 (Circular)	INST05079 (Circular)
Can the mirror be hung landscape?	Yes	Yes	Yes	No	No
What is the thickness of the mirror glass?	5mm	5mm	5mm	5mm	5mm
Is the cabinet IP44 rated?	Yes – Suitable for use in bathroom zone 2				
What size fuse should I use?	Seek the advice of an electrician				
What is the total power consumption?	29W	33W	42W	23.7W	36.6W
Does the cabinet have an energy rating?	F	F	F	F	F
What is the colour of the light and the Kelvin rating?	6500K	6500K	6500K	6500K	6500K
What is the Lumen of the LEDs?*	2000Lms	2400Lms	2800Lms	2376Lms	3276Lms
What is the wattage of the lights?	15W	18W	21W	12.87W	17.745W
Where is the IR sensor/rocker switch located?	Front bottom centre	Front bottom centre	Front bottom centre	Front bottom centre	Front bottom centre
Can the LED lighting be replaced?	No**	No**	No**	No**	No**
Can the IR sensor be replaced?	Yes	Yes	Yes	Yes	Yes
What is the output of the demister pad?	14W	14W	20W	10.8W	18.9W
What are the dimensions of the demister pad?	270(h) x 290(w) mm	270(h) x 290(w) mm	250(h) x 450(w) mm	200(h) x 300(w) mm	300(h) x 350(w) mm
How do I turn on the demister pad?	The demister pad will turn on when the LEDs are turned on				
Are illuminated cabinets supplied with mains cable?	All illuminated mirrors are supplied with a removeable 500mm mains cable. There is ample storage for excess cable in the back of the unit				

*The Lumen represents the output of the LED. This may vary depending on the diffuser material i.e., glass or acrylic.

**The LEDs are not replaceable to maintain the integrity of the product's resistance to moisture ingress.