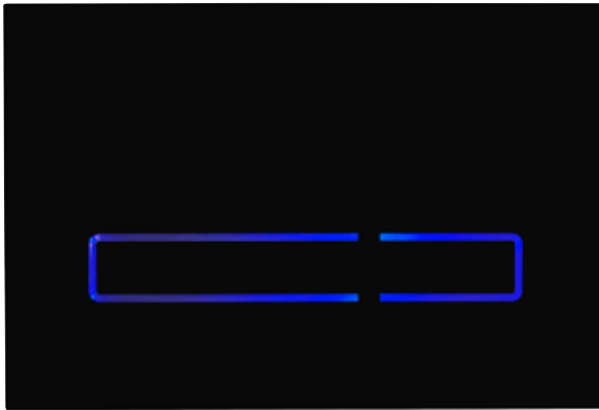


Touch Sensor Flush Plate (In-Wall Concealed Cistern and Wall Hung Pan) INST13016



Specification

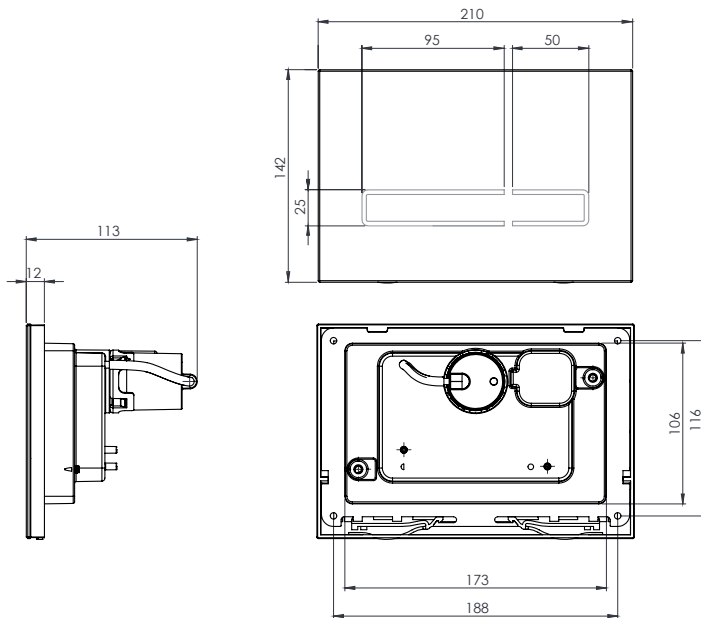
Finish	Black
Flush Button Dimensions	137(h) x 210(w) x 12(d) mm
Kit Weight	0.38kg
Flush (Single / Dual)	Dual

Features

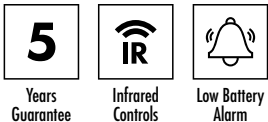
Compatibility	Compatible when used in standard depth furniture, recommended for INST13005
Controls	Infrared
Fixings Included	Yes
Power Source	Powered by 4 x AA batteries (lasts about one year)

FAQs

Please see next page



Key Features + Benefits



Certifications + Approvals

Roper Rhodes

Brassmill Lane Trading Estate, Bath, BA1 3JF. Technical Support – Tel: 01225 303 900 Email: sales@roperrhodes.co.uk

All information on the data sheet is correct at the time of publication. All measurements are approximate and subject to standard tolerances.

Touch Sensor Flush Plate (In-Wall Concealed Cistern and Wall Hung Pan) INST13016

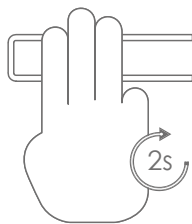
FAQs

Q – The touch sensor is not working?

A – Check that 100% new batteries are inserted correctly into the battery compartment. Ensure that the battery compartment is correctly aligned so that the spring contacts align with the terminals on the top of the battery pack.

Q – Still Not Flushing?

A – Please check the FAQs related to the cistern/frame that is installed. You will need to touch with at least 3 fingers to make a conscious signal to the sensor.



Three Finger Activation:
Use a minimum of three fingers touching the sensor for two seconds to activate.



Full Flush:
Touch the longer decal side with three fingers for two seconds to activate the flush. The LED lights will illuminate.



Reduced Flush:
Touch the shorter decal side with three fingers for two seconds to activate the flush. The LED lights will illuminate.

Q – How will I know that the batteries are running low?

A – Please refer to instructions.

Q – How do I access the unit to change the batteries?

A – Please refer to instructions.

Q – What is the expected battery life?

A – Approximately 12 months using batteries of a good quality.

Q – Can I use the sensor flush plate on furniture with a standard concealed cistern?

A – Yes, but only on standard depth furniture. On slim depth furniture, the flush plate body depth would be prohibitive, so use the CSFK sensor kit, instead.