

Instinct In-Wall Dual Flush Concealed Cistern INST13009



Specification

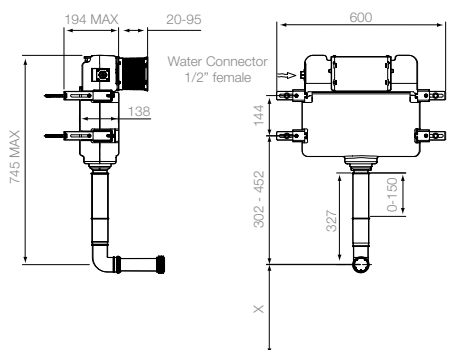
Finish	White
Dimensions	745(h) x 600(w) x 138-194(d) mm
Weight	4.57kg
Cistern Fitting Manufacturer	OEM
Airgap	Includes air gap inlet valve
Flush Plate / Button Supplied	Not supplied (Ensure maintenance access is available if a button or contactless sensor)
Flush (Single / Dual)	Dual
Flush (Max / Min)	6 / 3L
Inlet Position (When looking at WC)	Side left
Min Operating Pressure	0.2 Bar
Max Operating Pressure	10 Bar

Features

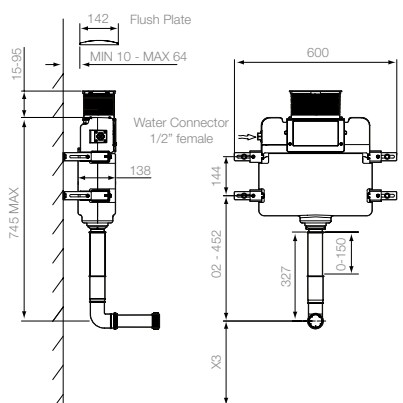
Design	Ideal for fully tiled in installations
Installation	flushpipe >90° for neat installation
Maintenance	Top or front access for easy maintenance and installation
Flush Valve	Pneumatic flush valve
Inlet Valve	WRAS approved Air Gap Side Inlet valve
Insulation	Insulated polystyrene anti-condensation jacket

FAQs

Please see next page

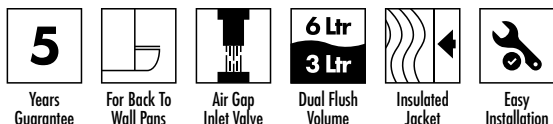


General dimensions – front mounted flush plate



General dimensions – top mounted flush plate

Key Features + Benefits



Certifications + Approvals

Roper Rhodes

Brassmill Lane Trading Estate, Bath, BA1 3JF. Technical Support – Tel: 01225 303 900 Email: sales@roperrhodes.co.uk

All information on the data sheet is correct at the time of publication. All measurements are approximate and subject to standard tolerances.

Instinct In-Wall Dual Flush Concealed Cistern INST13009

FAQs

Q – What is the height of the inlet pipe to the pan?

A – 327mm, pipe can be cut down for different inlet locations.

Q – What is the vertical length of the flush pipe to the tank?

A – 177mm to 327mm.

Q – Can I use a flush button rather than a flush plate with this cistern?

A – Yes, this type of installation is possible, but you must make provision for maintenance of the cistern in lieu of the flush plate.

Q – What depth of void will the tank fit into?

A – The cistern will fit into a void of 138-194mm if a deeper void is required, the tank can be mounted on battens.

Q – What thickness of cladding can be used?

A – Minimum of 20mm - Maximim 95mm for the adjustable flush plate mounting.