

### Complete Thermoset, Wrap-Over, Soft Close, Seat & Cover INST03019



#### Specification

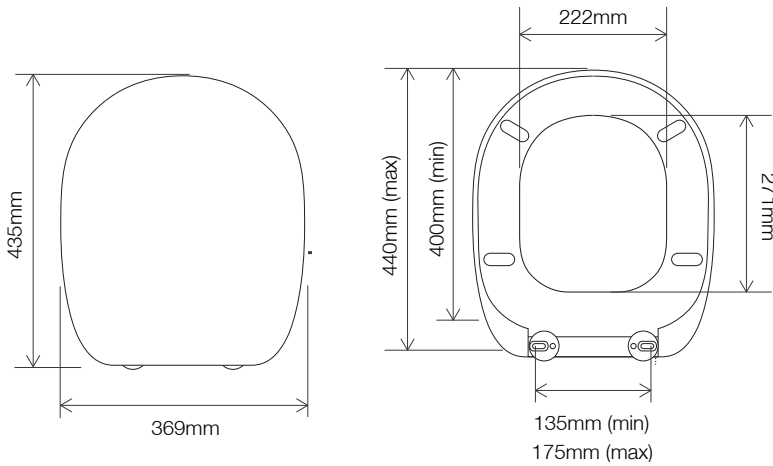
Finish	White
Dimensions	51(h) x 369(w) x 435(d) mm
Weight	2.3kg
Seat Hinge Material	Reinforced nylon base plates with stainless steel cover caps
Hinge Type	Soft close
Hinge Fixing Type	Quick release, Top Fix
Antibacterial Protection	No
Seat Type	Wrap Over
UV Protection	-
Max Load Test	150kg
Seat Material	Thermoset

#### Spares

Hinge Fixings	SP17501
Buffers	SP13833
Nylon Expansion Inserts	SP17913

#### FAQs

Please see next page



#### Extra Dimensions

Seat/Lid Front to Back – 435mm  
 Seat/Lid Left to Right – 369mm  
 Ring Hole Front to Back – 271mm  
 Ring Hole Left to Right – 222mm  
 Seat Overall Thickness – 51mm  
 Min/Max Adjustment for Fixings – 135/175, 400/440mm

#### Key Features + Benefits

**5**  
Years Guarantee

Quick Release

Top Fix Hinges

Soft Close Seat

#### Certifications + Approvals

#### Roper Rhodes

Brassmill Lane Trading Estate, Bath, BA1 3JF. Technical Support – Tel: 01225 303 900 Email: sales@roperrhodes.co.uk

All information on the data sheet is correct at the time of publication. All measurements are approximate and subject to standard tolerances.

## Technical Data Sheet | Toilet Seats

### Complete Thermoset, Wrap-Over, Soft Close, Seat & Cover INST03019

#### FAQs

**Q – What's the maximum test load of the seat?**

A – 150kg.

**Q – What are the fixings made from?**

A – Reinforced nylon base plates with stainless steel cover caps.

**Q – What pan is the seat compatible with?**

A – Ideal Standard Concept  
– Ideal Standard Concept Freedom  
– Ideal Standard Studio (new)  
– Armitage Shanks Profile 21  
– Sottini Santorini