

### Charm 800 x 500mm Towel Rail (Heating Only) CH08050CP



#### Specification

Finish	Chrome
Dimensions	800(h) x 500(w) x 100(d) mm
Weight	5.5kg
BTU Output/Hr	478
Watts @ $\Delta$ T50°C	140
Bars	3
Pipe Centres	462mm
Electric Element Wattage	-
Face to Face Connections	-
Radiator Columns	-
Material	Mild Steel

All heat outputs are shown at 50°C  $\Delta$ t in compliance with BSEN442. Watts and Btu's apply to Heating and Dual Fuel only.

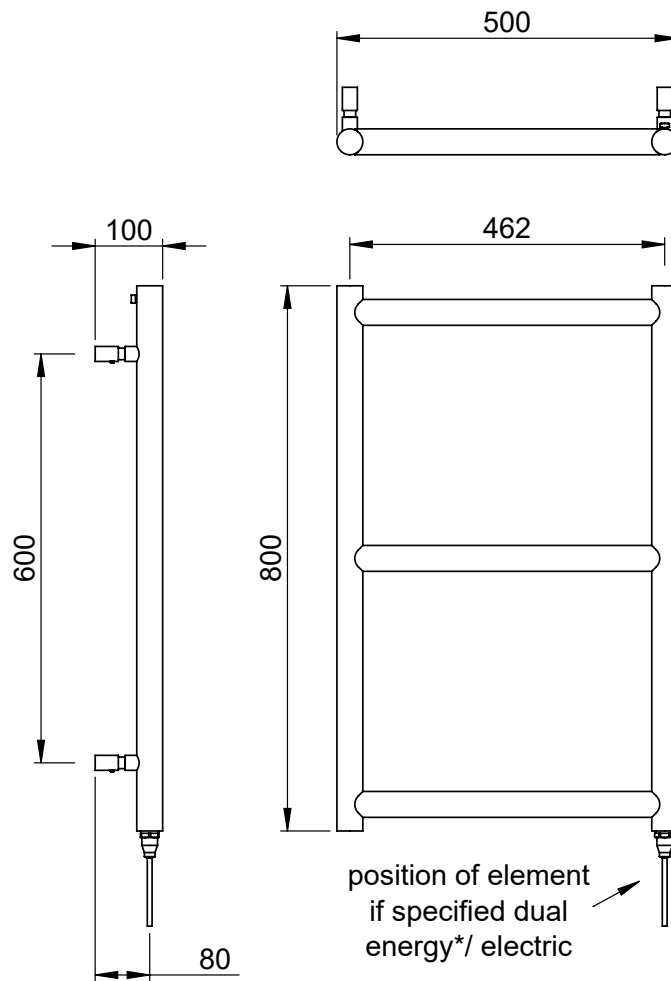
#### Key Features + Benefits



#### Certifications + Approvals

## Technical Data Sheet | Designer Towel Rails

### Charm 800 x 500mm Towel Rail (Heating Only) CH08050CP



\*Dual energy models require a conversion-tee, consult relevant drawing for details.