

Charm 800 x 500mm Towel Rail (Dual Fuel) CH08050CP-HE



Specification

Finish	Chrome
Dimensions	800(h) x 500(w) x 100(d) mm
Weight	5.5kg
BTU Output/Hr	478
Watts @ Δ T50°C	140
Bars	3
Pipe Centres	462mm
Electric Element Wattage	125
Face to Face Connections	-
Radiator Columns	-
Material	Mild Steel

All heat outputs are shown at 50°C Δ t in compliance with BSEN442. Watts and Btu's apply to Heating and Dual Fuel only.

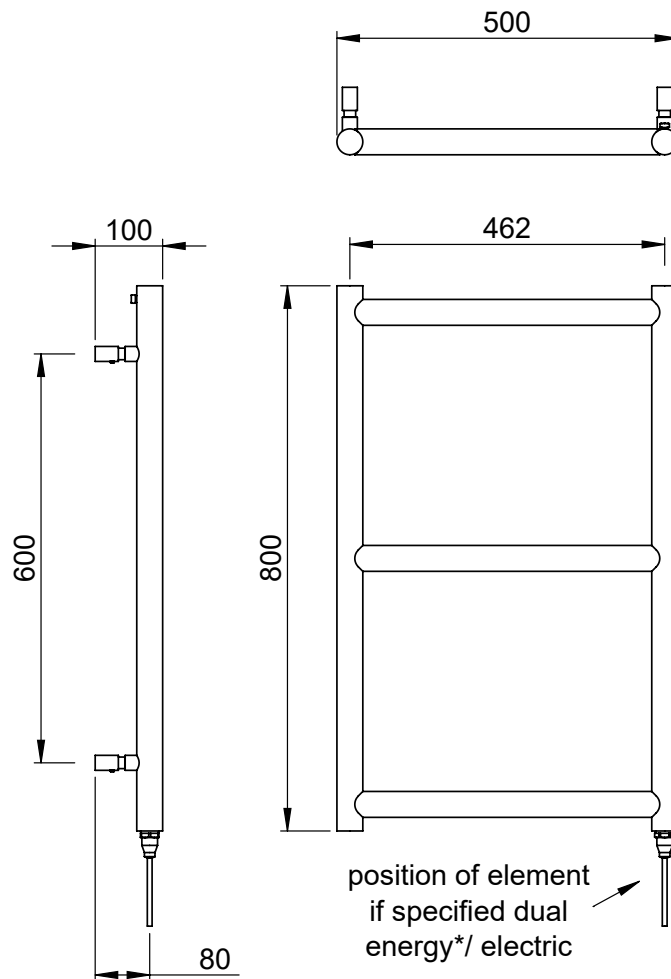
Key Features + Benefits



Certifications + Approvals

Technical Data Sheet | Designer Towel Rails

Charm 800 x 500mm Towel Rail (Dual Fuel) CH08050CP-HE



*Dual energy models require a conversion-tee, consult relevant drawing for details.