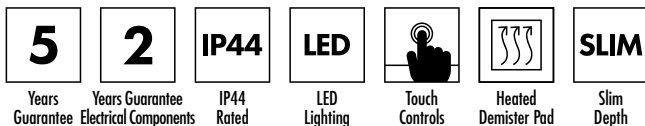


Camber LED Illuminated Mirror INST05057, INST05058, INST05059



Key Features + Benefits



Specification

	INST05057 (Circular)	INST05058 (Oval)	INST05059 (Pill)
Finish	White	White	White
Dimensions	600(diameter) x 35(d) mm	700(h) x 500(w) x 35(d) mm	800(h) x 500(w) x 35(d) mm
Weight	7kg	6kg	7.3kg
Lighting Type	LED	LED	LED
Colour Changing Technology (CCT)	No	No	No
Switch Location	Front	Front	Front
Surface/Recess Fitting	Surface	Surface	Surface
Carcass/Frame Construction Material	Aluminium	Aluminium	Aluminium
Glass Thickness	5mm	5mm	5mm

Features

Lighting	LED perimeter lighting
Controls	Contact free infrared switch
Hanging	Can be hung portrait or landscape

FAQs

Please see following pages

Certifications + Accreditations

Roper Rhodes

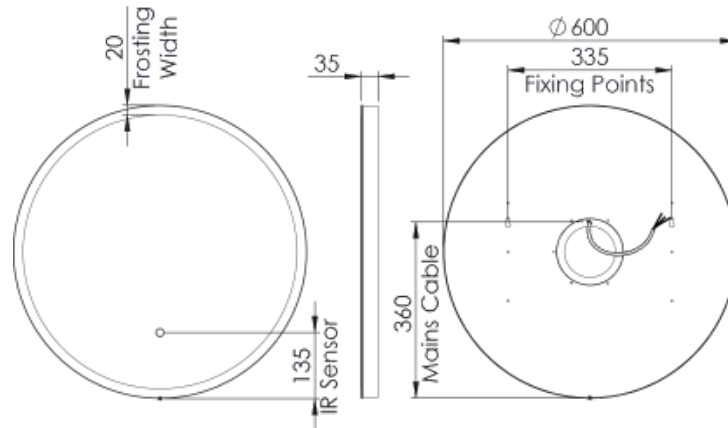
Brassmill Lane Trading Estate, Bath, BA1 3JF. Technical Support – Tel: 01225 303 900 Email: sales@roperrhodes.co.uk

All information on the data sheet is correct at the time of publication. All measurements are approximate and subject to standard tolerances.

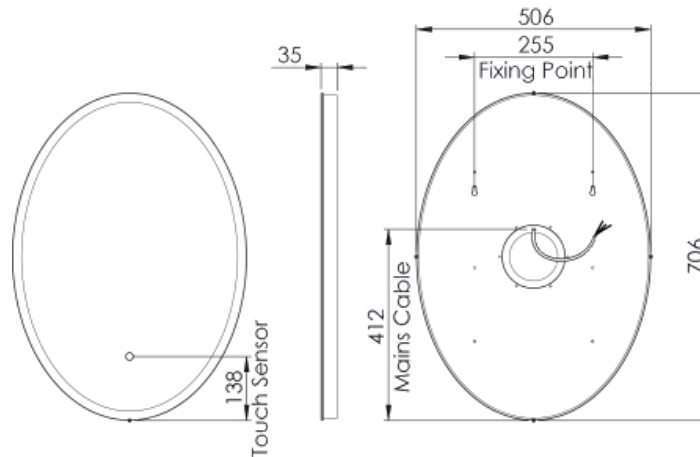
Technical Data Sheet | Cabinets + Mirrors

Camber LED Illuminated Mirror INST05057, INST05058, INST05059

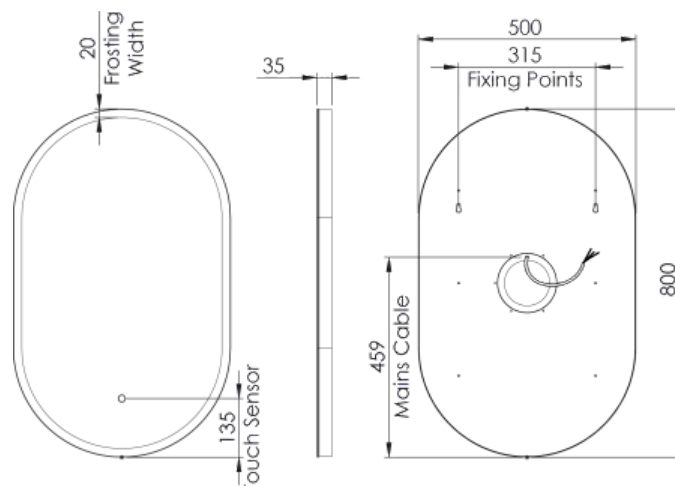
Circular (INST05057)



Oval (INST05058)



Pill (INST05059)



Roper Rhodes

Brassmill Lane Trading Estate, Bath, BA1 3JF. Technical Support – Tel: 01225 303 900 Email: sales@roperrhodes.co.uk

All information on the data sheet is correct at the time of publication. All measurements are approximate and subject to standard tolerances.

Camber LED Illuminated Mirror INST05057, INST05058, INST05059

FAQs

	INST05057 (Circular)	INST05058 (Oval)	INST05059 (Pill)
Can the mirror be hung landscape?	No	No	No
What is the thickness of the mirror glass?	5mm	5mm	5mm
Is the cabinet IP44 rated?	Yes – Suitable for use in bathroom zone 2		
What size fuse should I use?	Seek the advice of an electrician		
What is the total power consumption?	21.2W	21.2W	27.2W
Does the cabinet have an energy rating?	A	A	A
What is the colour of the light and the Kelvin rating?	6500K	6500K	6500K
What is the Lumen of the LEDs?*	–	–	–
What is the wattage of the lights?	12.2W	12.2W	14.2W
Where is the control sensor located?	Front middle	Front middle	Front middle
Can the LED lighting be replaced?	No**	No**	No**
Can the control sensor be replaced?	Yes	Yes	Yes
What is the output of the demister pad?	9W	9W	13.5W
What are the dimensions of the demister pad?	200(h) x 250(w) mm	200(h) x 250(w) mm	250(h) x 300(w) mm
How do I turn on the demister pad?	The demister pad will turn on when the LEDs are turned on		
Are illuminated cabinets supplied with mains cable?	All illuminated mirrors are supplied with a removeable 500mm mains cable		

*The Lumen represents the output of the LED. This may vary depending on the diffuser material i.e., glass or acrylic.

**The LEDs are not replaceable to maintain the integrity of the product's resistance to moisture ingress.