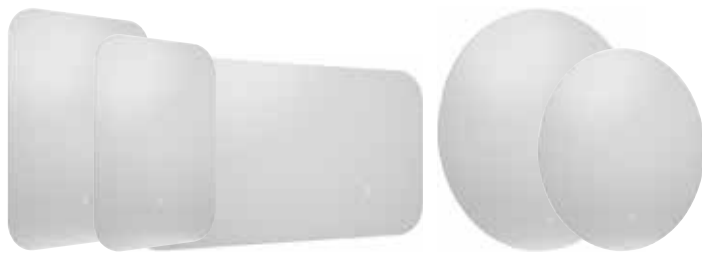


Broxa LED Illuminated Mirror

INST050111, INST050112, INST050113, INST050114, INST050115



Specification

	INST050111 (Rectangular)	INST050112 (Rectangular)	INST050113 (Rectangular)
Finish	-	-	-
Dimensions	500(h) x 700(w) x 29(d) mm	600(h) x 800(w) x 29(d) mm	1000(h) x 500(w) x 29(d) mm
Weight	5.3kg	7.1kg	7.2kg
Lighting Type	LED	LED	LED
Colour Changing Technology (CCT)	Yes	Yes	Yes
Switch Location	Front	Front	Front
Surface/Recess Fitting	Surface	Surface	Surface
Carcass/Frame Construction Material	Aluminium	Aluminium	Aluminium
Glass Thickness	5mm	5mm	5mm

	INST050114 (Circular)	INST050115 (Circular)
Finish	-	-
Dimensions	600(diameter) x 29(d) mm	800(diameter) x 29(d) mm
Weight	4.4kg	8.2kg
Lighting Type	LED	LED
Colour Changing Technology (CCT)	Yes	Yes
Switch Location	Front	Front
Surface/Recess Fitting	Surface	Surface
Carcass/Frame Construction Material	Aluminium	Aluminium
Glass Thickness	5mm	5mm

Features

Lighting	Backlit design with double tap CCT (Colour Changing Technology) control
Controls	Touch on/off
Hanging	Landscape or Portrait

FAQs

Please see following pages

Key Features + Benefits

5 Years Guarantee	2 Years Guarantee Electrical Components	IP44 IP44 Rated	LED LED Lighting	CCT CCT Control Lighting	Touch Controls	Heated Demister Pad
Multiple Shaped Options	SLIM Slim Depth	Portrait or Landscape Hanging				

Certifications + Accreditations

Roper Rhodes

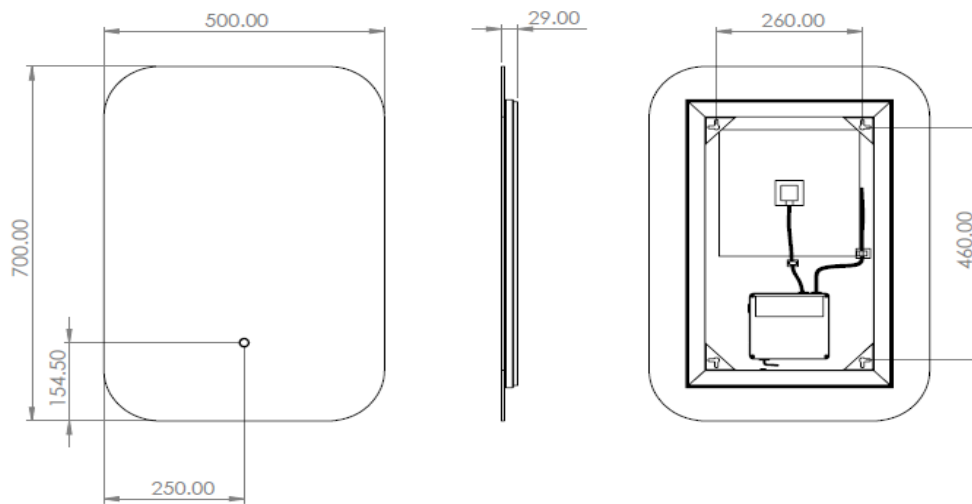
Brassmill Lane Trading Estate, Bath, BA1 3JF. Technical Support – Tel: 01225 303 900 Email: sales@roperrhodes.co.uk

All information on the data sheet is correct at the time of publication. All measurements are approximate and subject to standard tolerances.

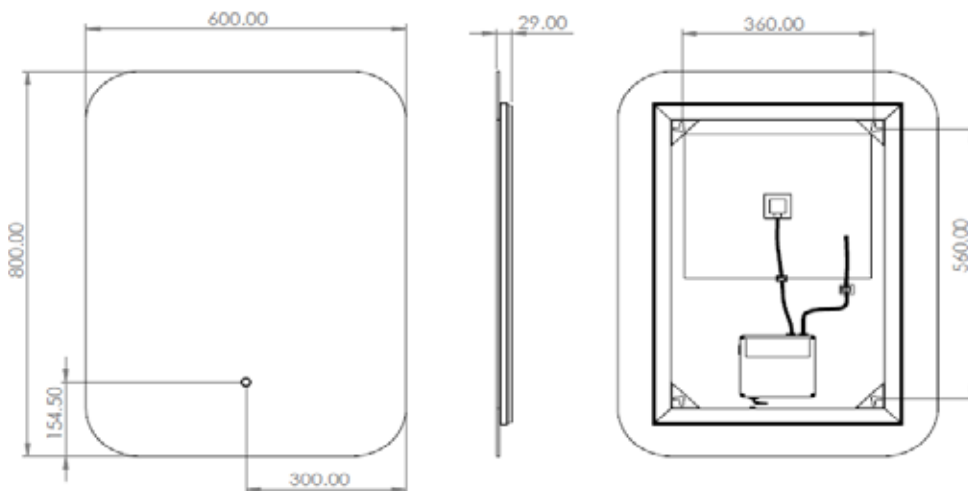
Broxa LED Illuminated Mirror

INST050111, INST050112, INST050113, INST050114, INST050115

Rectangular (INST050111)



Rectangular (INST050112)



Roper Rhodes

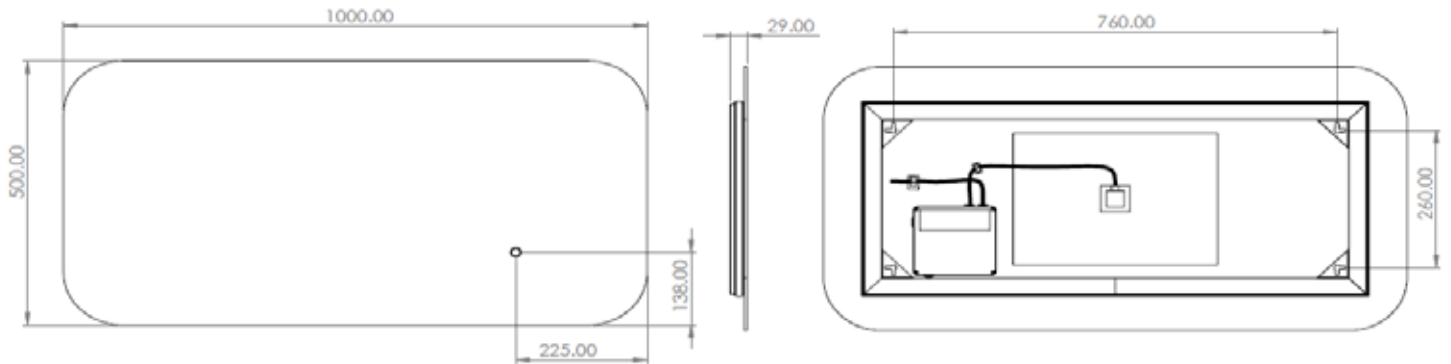
Brassmill Lane Trading Estate, Bath, BA1 3JF. Technical Support – Tel: 01225 303 900 Email: sales@roperrhodes.co.uk

All information on the data sheet is correct at the time of publication. All measurements are approximate and subject to standard tolerances.

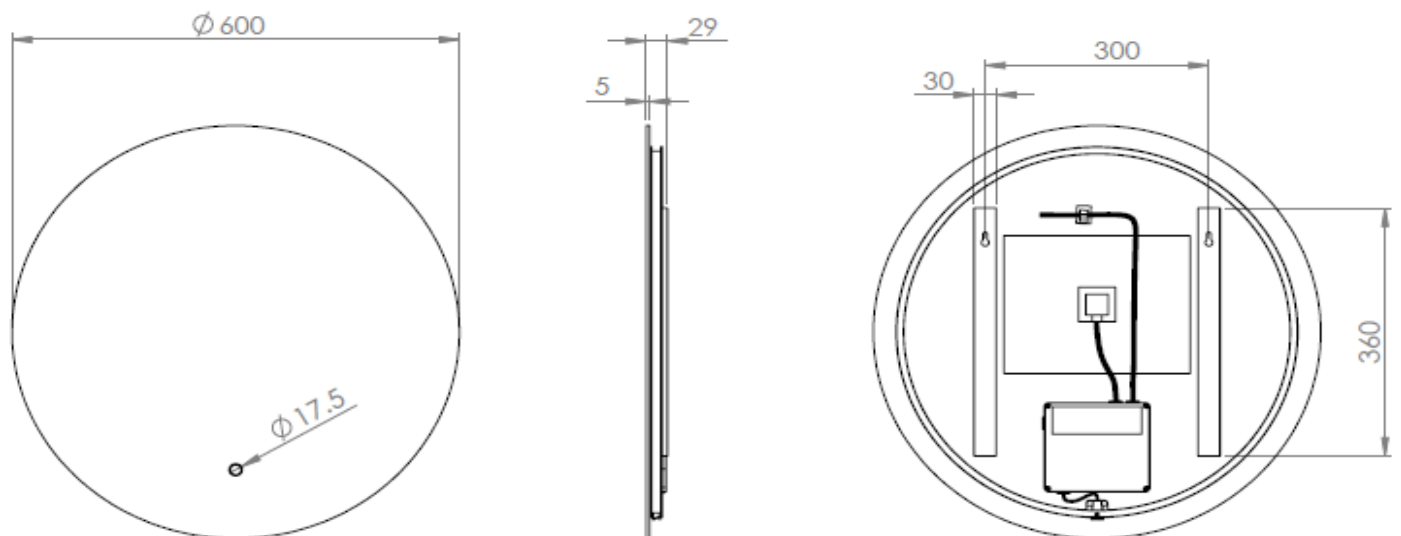
Broxa LED Illuminated Mirror

INST050111, INST050112, INST050113, INST050114, INST050115

Rectangular (INST050113)



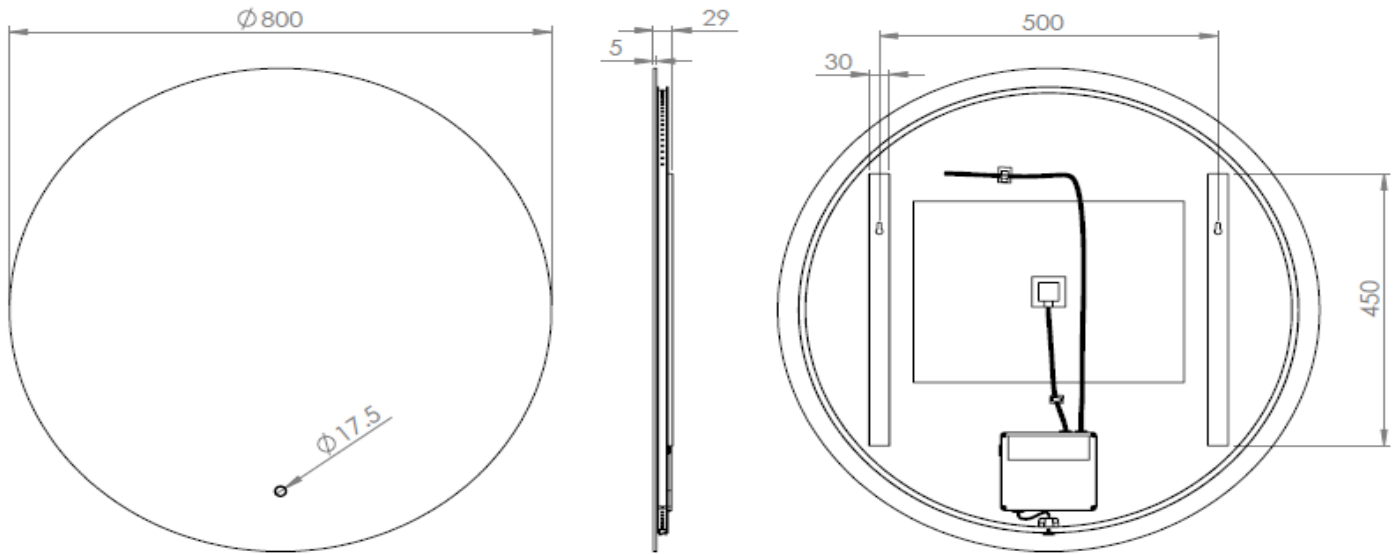
Circular (INST050114)



Broxa LED Illuminated Mirror

INST050111, INST050112, INST050113, INST050114, INST050115

Circular (INST050115)



Technical Data Sheet | Cabinets + Mirrors

www.instinctproducts.co.uk

Broxa LED Illuminated Mirror

INST050111, INST050112, INST050113, INST050114, INST050115

FAQs

	INST050111 (Rectangular)	INST050112 (Rectangular)	INST050113 (Rectangular)	INST050114 (Circular)	INST050115 (Circular)
Can the mirror be hung landscape?	Yes	Yes	Yes	No	No
What is the thickness of the mirror glass?	5mm	5mm	5mm	5mm	5mm
Is the cabinet IP44 rated?	Yes – Suitable for use in bathroom zone 2				
What size fuse should I use?	Seek the advice of an electrician				
Where is the switch sensor located?	Front Centre	Front Centre	Front Centre	Front Centre	Front Centre
Can the LED lighting be replaced?*	No	No	No	No	No
Can the switch sensor be replaced?	Yes	Yes	Yes	Yes	Yes
How do I turn on the demister pad?	The demister pad will turn on when the LEDs are turned on				
Are illuminated cabinets supplied with mains cable?	All illuminated mirrors are supplied with a removeable 500mm mains cable.				
Why are the lights not switching on?	Please note: After the mirror is connected to power for the first time, it may take up to 5 minutes for the sensor to calibrate and become fully responsive.				

*The LEDs are not replaceable to maintain the integrity of the product's resistance to moisture ingress.

Electrical Specification

	INST050111 (Rectangular)	INST050112 (Rectangular)	INST050113 (Rectangular)	INST050114 (Circular)	INST050115 (Circular)
Input Voltage	220-240V 50Hz	220-240V 50Hz	220-240V 50Hz	220-240V 50Hz	220-240V 50Hz
Lamp Type	24V DC LED Lamp	24V DC LED Lamp	24V DC LED Lamp	24V DC LED Lamp	24V DC LED Lamp
Total Wattage (LED + Demist)	34W	44W	41W	30W	47W
Demist	13W	20W	17W	10W	23W
Demist Size	250 x 250mm	350 x 300mm	350 x 250mm	250 x 200mm	400 x 300mm
LEDs	17W	20W	20W	15W	20W
LED**	950lm	1125lm	1175lm	1700lm	1150lm
Energy Rating	E	E	E	E	E
CCT	3000–6500K	3000–6500K	3000–6500K	3000–6500K	3000–6500K
CRI	80	80	80	80	80
IP Rating	IP44	IP44	IP44	IP44	IP44
Electrical Class	Class II	Class II	Class II	Class II	Class II

*The Lumen represents the output of the LED. This may vary depending on the diffuser material i.e., glass or acrylic.

Roper Rhodes

Brassmill Lane Trading Estate, Bath, BA1 3JF. Technical Support – Tel: 01225 303 900 Email: sales@roperrhodes.co.uk

All information on the data sheet is correct at the time of publication. All measurements are approximate and subject to standard tolerances.