

## Technical Data Sheet | Cabinets + Mirrors

www.instinctproducts.co.uk

### Brierley Aluminium Cabinet

INST06064, INST06065, INST06066



#### Key Features + Benefits

<b>5</b> Years Guarantee	<b>2</b> Years Guarantee Electrical Components	 USB Charging Socket	 Charging Socket	<b>IP44</b> Rated	<b>LED</b> Lighting	<b>CCT</b> Control Lighting
 Heated Demister Pad	 Heated Demister Pad	 Internal Shelves	 Soft Close Doors			

#### Specification

	INST06064 (Single Door)	INST06065 (Double Door)	INST06066 (Double Door)
Finish	Aluminium	Aluminium	Aluminium
Dimensions	700(h) x 500(w) x 145(d) mm	700(h) x 600(w) x 145(d) mm	700(h) x 800(w) x 145(d) mm
Weight	15.8kg	23.5kg	25.2kg
Lighting Type	LED	LED	LED
Colour Changing Technology (CCT)	Yes	Yes	Yes
Switch Location	Right Bottom	Right Bottom	Right Bottom
Surface/Recess Fitting	Surface	Surface	Surface
Carcass/Frame Construction Material	Aluminium	Aluminium	Aluminium
Carcass/Frame Finish	Aluminium	Aluminium	Aluminium
Number of Internal Shelves	Two	Two	Two
Shelves (Fixed/Adjustable)	Adjustable	Adjustable	Adjustable
Door Hinge Handing	Left hand	-	-
Glass Thickness	3mm	3mm	3mm

#### Features

Doors	Double sided mirror doors with heated demister pad
Lighting	LED perimeter lighting with adjustable 2700K-6400K LED CCT (Colour Changing Technology) control, brightness and internal ambient downlight mirrored back panel
Vanity Mirror	Handheld, desk or shelf mounted vanity mirror with 5x magnification
Charging	Built in two-pin charging socket for your shaver or toothbrush and additional USB + USB-C charging socket
Controls	Infrared switch controlled by contactless hand movements

#### FAQs

Please see following pages

#### Certifications + Accreditations

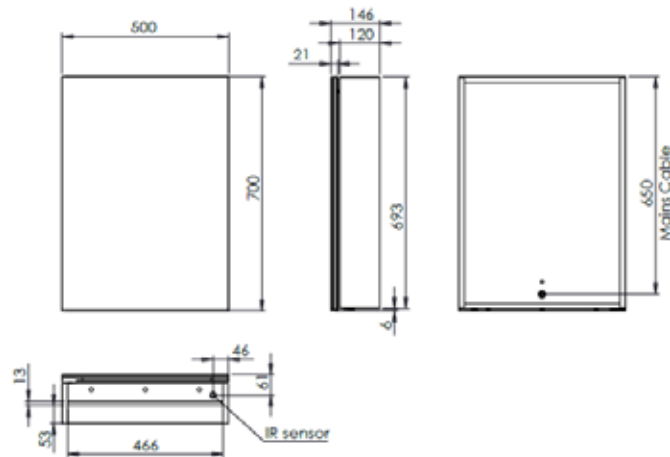
#### Roper Rhodes

Brassmill Lane Trading Estate, Bath, BA1 3JF. Technical Support – Tel: 01225 303 900 Email: sales@roperrhodes.co.uk

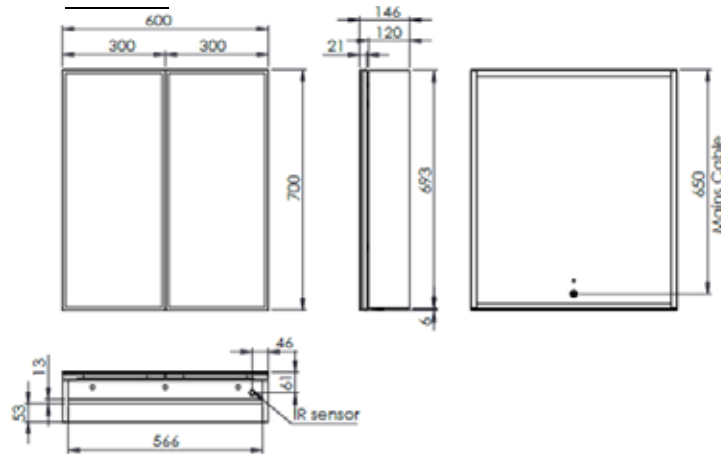
All information on the data sheet is correct at the time of publication. All measurements are approximate and subject to standard tolerances.

### Brierley Aluminium Cabinet INST06064, INST06065, INST06066

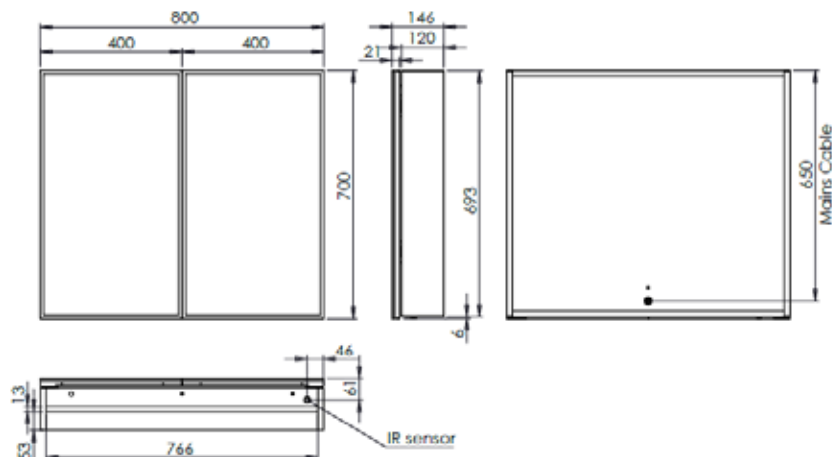
#### Single Door (INST06064)



#### Double Door (INST06065)



#### Double Door (INST06066)



#### Roper Rhodes

Brassmill Lane Trading Estate, Bath, BA1 3JF. Technical Support – Tel: 01225 303 900 Email: sales@roperrhodes.co.uk

All information on the data sheet is correct at the time of publication. All measurements are approximate and subject to standard tolerances.

## Technical Data Sheet | Cabinets + Mirrors

www.instinctproducts.co.uk

### Brierley Aluminium Cabinet INST06064, INST06065, INST06066

#### FAQs

	INST06064 (Single Door)	INST06065 (Double Door)	INST06066 (Double Door)
Internal Dimensions	611(h) x 466(w) x 105(d) mm	611(h) x 566(w) x 105(d) mm	611(h) x 766(w) x 105(d) mm
Shelf dimensions	461(h) x 100(w) x 5(d) mm	561(h) x 100(w) x 5(d) mm	761(h) x 100(w) x 5(d) mm
Max shelf spacing	350mm	350mm	350mm
Distance between door hinges	411mm	411mm	411mm
Individual door dimensions	500 x 700mm	300 x 700mm	400 x 700mm
Door opening angle	110°	110°	110°
Depth with door fully open	625mm	425mm	525mm
Hanging bracket centres	215mm	265mm	365mm
What is the thickness of the mirror glass door?	3mm	3mm	3mm
Where is the switch sensor located?	RH side under the cabinet	RH side under the cabinet	RH side under the cabinet
Is the cabinet IP44 rated?	Yes	Yes	Yes
Can the LED lighting be replaced?	No – But doors are replaceable		
Can the switch sensor be replaced?	Yes	Yes	Yes
What size fuse should I use?	Seek advice from an electrician		
How do I turn on the demister pad?	The demister pad will turn on when the LEDs are turned on		
Are illuminated cabinets/mirrors supplied with mains cable?	All illuminated cabinets are supplied with a removeable 500mm mains cable. There is ample storage for excess cable in the back of the unit.		

#### Electrical Specification

	INST06064 (Single Door)	INST06065 (Double Door)	INST06066 (Double Door)
Input Voltage	220-240V 50Hz	220-240V 50Hz	220-240V 50Hz
Lamp Type	12V DC LED Lamp	12V DC LED Lamp	12V DC LED Lamp
Total Wattage (LED + Demist)	73.0W	98.50W	104.50W
Demist	12.0W	24.0W	24.0W
Demist Size	200 x 300mm	200 x 300mm (x2)	200 x 300mm (x2)
LEDs	25.0W	38.50W	44.50W
LED*	1554lm	2496lm	2866lm
Energy Rating	G	G	G
CCT	2700 – 6500K	2700 – 6500K	2700 – 6500K
CRI	90	90	90
IP Rating	IP44	IP44	IP44
Electrical Class	Class I	Class I	Class I

\*The Lumen represents the output of the LED. This may vary depending on the diffuser material i.e., glass or acrylic.

#### Roper Rhodes

Brassmill Lane Trading Estate, Bath, BA1 3JF. Technical Support – Tel: 01225 303 900 Email: sales@roperrhodes.co.uk

All information on the data sheet is correct at the time of publication. All measurements are approximate and subject to standard tolerances.