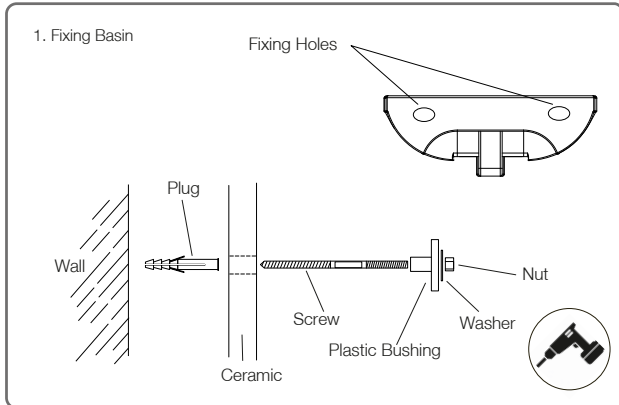


WASHBASIN AND SEMI PEDESTAL

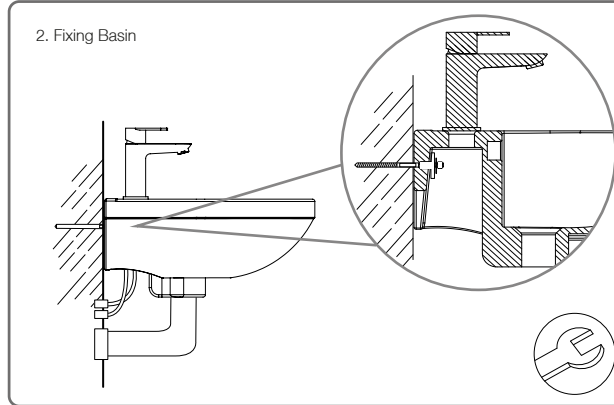
INSTALLATION GUIDANCE

Please retain for future reference

Please read carefully before attempting to fit the basin and semi pedestal. If you are not the end user, please make sure the aftercare instructions are made available for the end user to read.

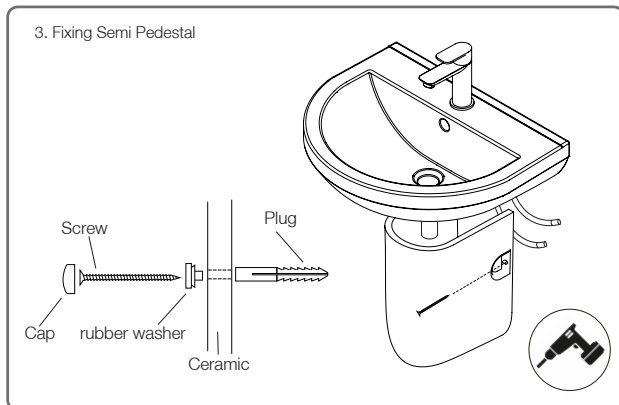


Ensure the wall is strong enough to support the basin and semi pedestal. Hold the basin up to test and ensure optimum height (recommended 800-850mm from tap deck to floor). Make sure the semi pedestal will cover the pipework when placed over and then mark out and drill the holes for the basin. The plugs and screws can then be inserted and tightened with a spanner.



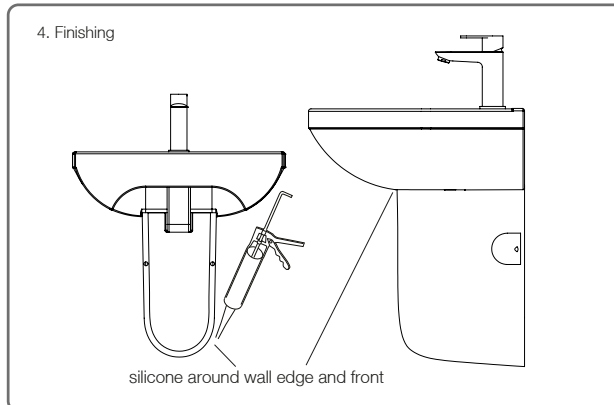
Place the basin over the screws and use the plastic bushing and nut to tighten into place. Tighten evenly by hand and finish off with a spanner.

Once the basin is secure to the wall the tap and waste can be installed.



Attach the hot and cold feeds for the tap and the waste to the pipework.

Lift the semi ped into position on the underside of the basin and mark the holes. Next, drill the holes and then hold the semi pedestal in position while inserting the screws.



Once the screws are tightened, the cover caps can be pushed on top.

To finish the installation, silicone sealant with a gun can be used to go along the back of the basin and above and round the semi pedestal.

AFTERCARE INSTRUCTIONS



Clean surfaces with a soft damp cloth and mild soap solution



Do not scrub or scour



Do not use abrasive cleaning agents



Do not stand on washbasin

IMPORTANT

After a few days check that the fixings are still tight. This is necessary as some components will compress during the first few days.

When using abrasive, corrosive or chlorine-based cleaners, ensure that these do not come into contact with the fixings. Failure to do so can lead to discolouration of surfaces or rusting of metal parts which will not be covered by the guarantee.

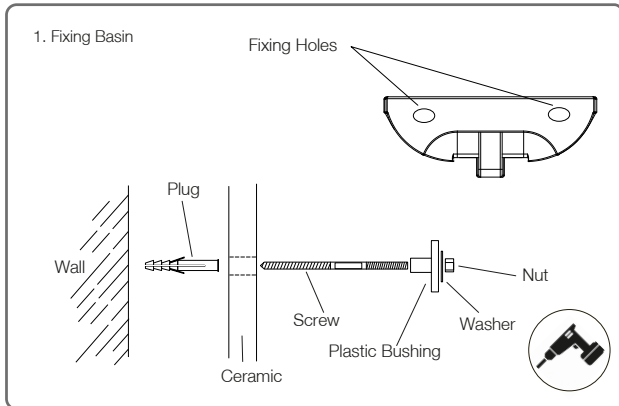
Periodically check all fixings to ensure none have come loose and re-tighten where necessary. Assembly should be carried out by a competent person. No liability will be accepted for damage or injury caused by incorrect product installation or assembly.

WASHBASIN AND SEMI PEDESTAL

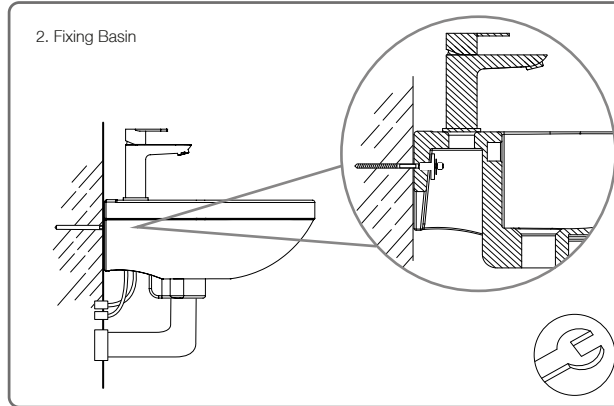
INSTALLATION GUIDANCE

Please retain for future reference

Please read carefully before attempting to fit the basin and semi pedestal. If you are not the end user, please make sure the aftercare instructions are made available for the end user to read.

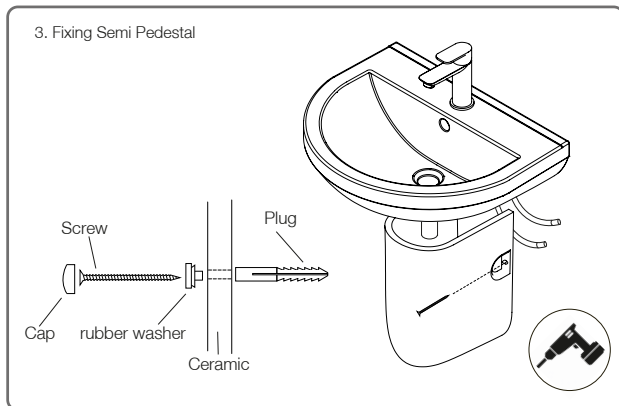


Ensure the wall is strong enough to support the basin and semi pedestal. Hold the basin up to test and ensure optimum height (recommended 800-850mm from tap deck to floor). Make sure the semi pedestal will cover the pipework when placed over and then mark out and drill the holes for the basin. The plugs and screws can then be inserted and tightened with a spanner.



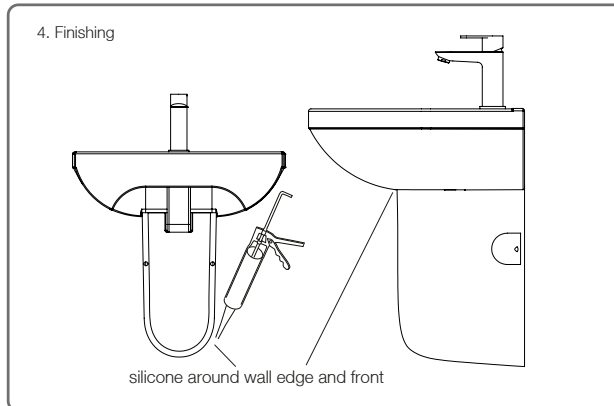
Place the basin over the screws and use the plastic bushing and nut to tighten into place. Tighten evenly by hand and finish off with a spanner.

Once the basin is secure to the wall the tap and waste can be installed.



Attach the hot and cold feeds for the tap and the waste to the pipework.

Lift the semi ped into position on the underside of the basin and mark the holes. Next, drill the holes and then hold the semi pedestal in position while inserting the screws.



Once the screws are tightened, the cover caps can be pushed on top.

To finish the installation, silicone sealant with a gun can be used to go along the back of the basin and above and round the semi pedestal.

AFTERCARE INSTRUCTIONS



Clean surfaces with a soft damp cloth and mild soap solution



Do not scrub or scour



Do not use abrasive cleaning agents



Do not stand on washbasin

IMPORTANT

After a few days check that the fixings are still tight. This is necessary as some components will compress during the first few days.

When using abrasive, corrosive or chlorine-based cleaners, ensure that these do not come into contact with the fixings. Failure to do so can lead to discolouration of surfaces or rusting of metal parts which will not be covered by the guarantee.

Periodically check all fixings to ensure none have come loose and re-tighten where necessary. Assembly should be carried out by a competent person. No liability will be accepted for damage or injury caused by incorrect product installation or assembly.