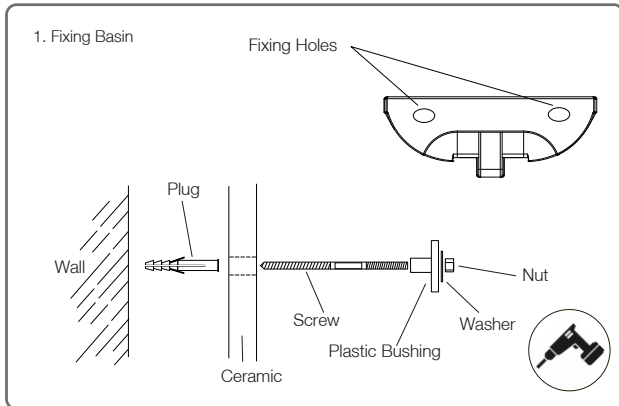


WASHBASIN AND PEDESTAL

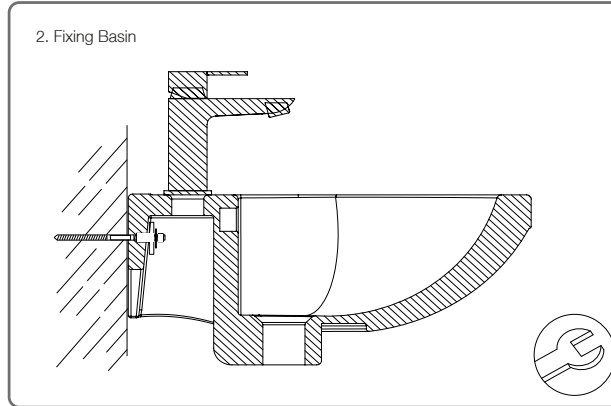
INSTALLATION GUIDANCE

Please retain for future reference

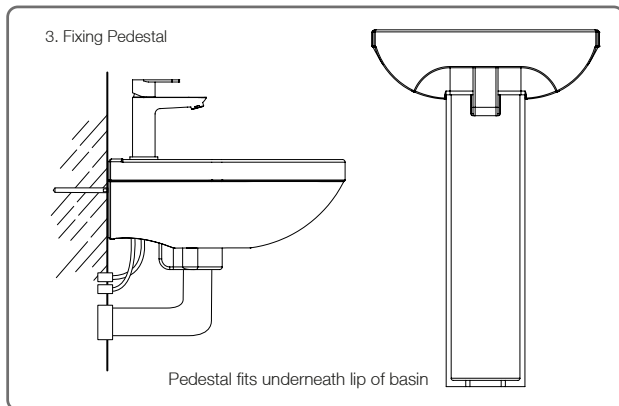
Please read carefully before attempting to fit the basin and pedestal. If you are not the end user, please make sure the aftercare instructions are made available for the end user to read.



Ensure the wall is strong enough to support the basin. Make sure the pedestal will cover the pipework when placed over with the basin fitted. Mark out with basin in place and then drill the holes for the basin. The plugs and screws can then be inserted. The fixing set for washbasin is not included and different fixings are available for the wall type.

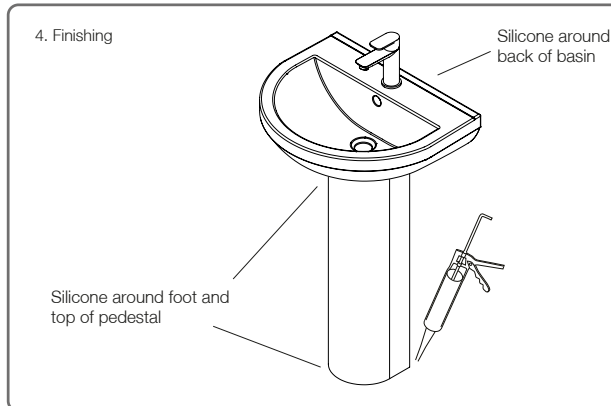


The tap and waste can be installed on the basin before securing to the wall using Plumber's Mait. Place the basin over the screws and use the plastic bushing and nut to tighten into place. Tighten evenly by hand, not tightening all the way to be able to lift the basin and fit the pedestal underneath.



Attach the hot and cold feeds for the tap and the waste to the pipework.

Lift the basin and slide the ped into position slotting it into the recessed area under the basin. When the pedestal is in position the basin can then be tightened fully making sure not to overtighten.



To finish the installation, silicone sealant with a gun can be used to go along the back of the basin, between the basin and pedestal and pedestal and floor.

AFTERCARE INSTRUCTIONS



Clean surfaces with a soft damp cloth and mild soap solution



Do not scrub or scour



Do not use abrasive cleaning agents



Do not stand on washbasin

IMPORTANT

After a few days check that the fixings are still tight. This is necessary as some components will compress during the first few days.

When using abrasive, corrosive or chlorine-based cleaners, ensure that these do not come into contact with the fixings. Failure to do so can lead to discolouration of surfaces or rusting of metal parts which will not be covered by the guarantee.

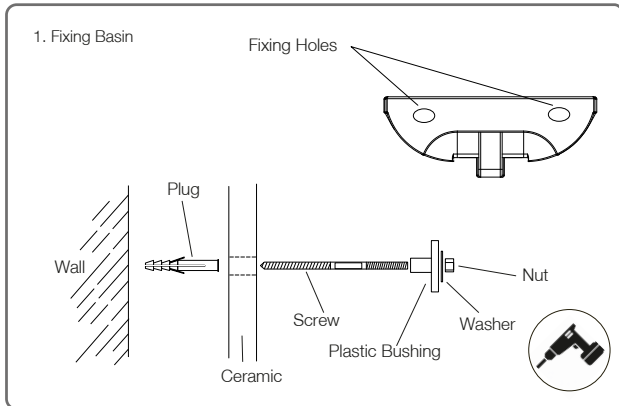
Periodically check all fixings to ensure none have come loose and re-tighten where necessary. Assembly should be carried out by a competent person. No liability will be accepted for damage or injury caused by incorrect product installation or assembly.

WASHBASIN AND PEDESTAL

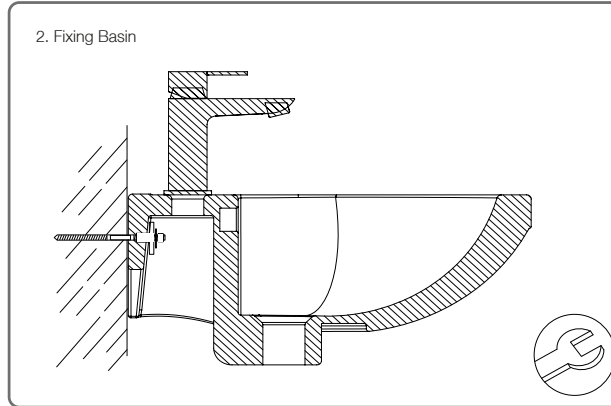
INSTALLATION GUIDANCE

Please retain for future reference

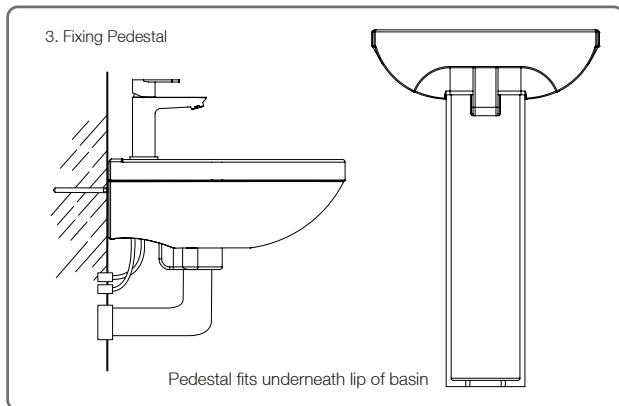
Please read carefully before attempting to fit the basin and pedestal. If you are not the end user, please make sure the aftercare instructions are made available for the end user to read.



Ensure the wall is strong enough to support the basin. Make sure the pedestal will cover the pipework when placed over with the basin fitted. Mark out with basin in place and then drill the holes for the basin. The plugs and screws can then be inserted. The fixing set for washbasin is not included and different fixings are available for the wall type.

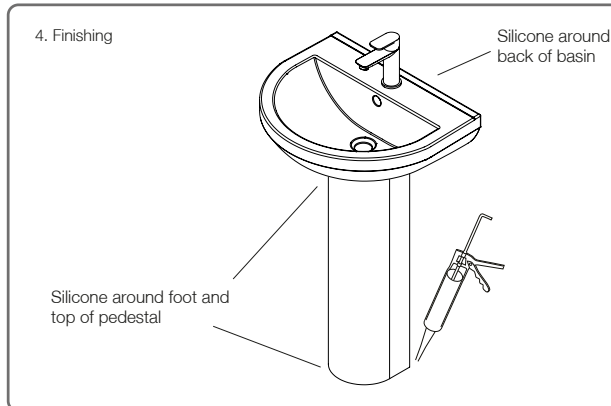


The tap and waste can be installed on the basin before securing to the wall using Plumber's Mait. Place the basin over the screws and use the plastic bushing and nut to tighten into place. Tighten evenly by hand, not tightening all the way to be able to lift the basin and fit the pedestal underneath.



Attach the hot and cold feeds for the tap and the waste to the pipework.

Lift the basin and slide the ped into position slotting it into the recessed area under the basin. When the pedestal is in position the basin can then be tightened fully making sure not to overtighten.



To finish the installation, silicone sealant with a gun can be used to go along the back of the basin, between the basin and pedestal and pedestal and floor.

AFTERCARE INSTRUCTIONS



Clean surfaces with a soft damp cloth and mild soap solution



Do not scrub or scour



Do not use abrasive cleaning agents



Do not stand on washbasin

IMPORTANT

After a few days check that the fixings are still tight. This is necessary as some components will compress during the first few days.

When using abrasive, corrosive or chlorine-based cleaners, ensure that these do not come into contact with the fixings. Failure to do so can lead to discolouration of surfaces or rusting of metal parts which will not be covered by the guarantee.

Periodically check all fixings to ensure none have come loose and re-tighten where necessary. Assembly should be carried out by a competent person. No liability will be accepted for damage or injury caused by incorrect product installation or assembly.