

### Brierley 560mm Semi Countertop Slim Depth One Taphole Basin INST01039

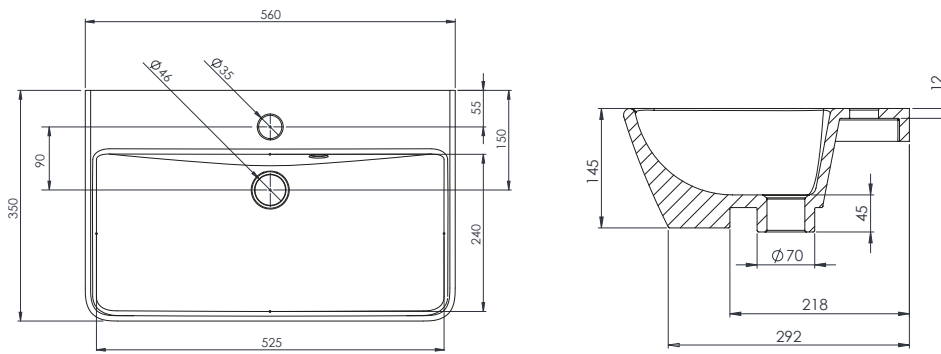


#### Specification

Finish	White
Dimensions	145(h) x 560(w) x 350(d) mm
Weight	11.3kg
Basin Material	Ceramic
Overflow	Yes
Chainstay Hole	No
Taphole Positioning	Centre

#### FAQs

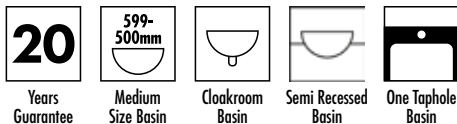
Please see next page



#### Extra Dimensions

Internal Bowl Depth – 110mm  
 Internal Bowl Front to Back – 240mm  
 Internal Bowl Left to Right – 525mm  
 Tap Ledge – 100mm  
 Taphole Centre to Waste Centre – 90mm  
 Taphole Centre to Back of Basin – 55mm  
 Waste Centre to Back of Basin – 150mm  
 Height of Basin – 145mm  
 Basin Overhang – 132mm

#### Key Features + Benefits



#### Certifications + Approvals

#### Roper Rhodes

Brassmill Lane Trading Estate, Bath, BA1 3JF. Technical Support – Tel: 01225 303 900 Email: sales@roperrhodes.co.uk

All information on the data sheet is correct at the time of publication. All measurements are approximate and subject to standard tolerances.

### Brierley 560mm Semi Countertop Slim Depth One Taphole Basin INST01039

---

#### FAQs

**Q – Is a fitting template supplied?**

A – Yes. Questions on cutting dimensions can be found on the template.

**Q – How is the basin fixed to the furniture?**

A – Fix to work top with silicone as per instructions supplied.