

Brierley 560mm Semi Countertop Standard Depth One Taphole Basin INST01038

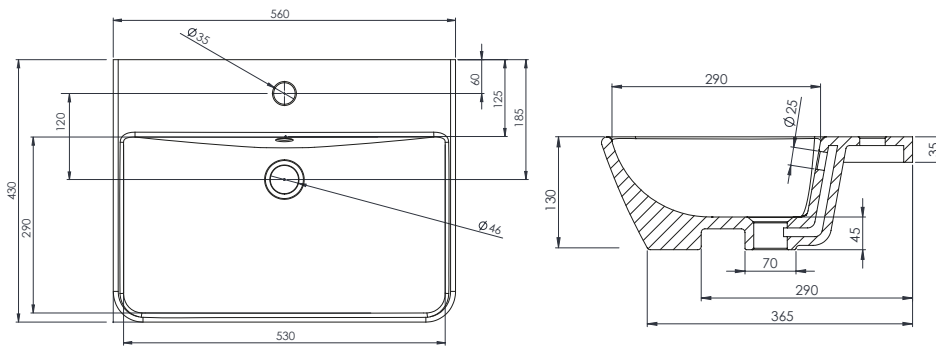


Specification

Finish	White
Dimensions	130(h) x 560(w) x 430(d) mm
Weight	13kg
Basin Material	Ceramic
Overflow	Yes
Chainstay Hole	No
Taphole Positioning	Centre

FAQs

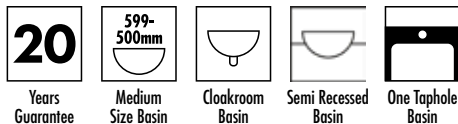
Please see next page



Extra Dimensions

Internal Bowl Depth – 115mm
 Internal Bowl Front to Back – 290mm
 Internal Bowl Left to Right – 530mm
 Tap Ledge – 125mm
 Taphole Centre to Waste Centre – 120mm
 Taphole Centre to Back of Basin – 60mm
 Waste Centre to Back of Basin – 185mm
 Height of Basin – 130mm
 Basin Overhang – 140mm

Key Features + Benefits



Certifications + Approvals

Roper Rhodes

Brassmill Lane Trading Estate, Bath, BA1 3JF. Technical Support – Tel: 01225 303 900 Email: sales@roperrhodes.co.uk

All information on the data sheet is correct at the time of publication. All measurements are approximate and subject to standard tolerances.

Brierley 560mm Semi Countertop Standard Depth One Taphole Basin INST01038

FAQs

Q – Is a fitting template supplied?

A – Yes. Questions on cutting dimensions can be found on the template.

Q – How is the basin fixed to the furniture?

A – Fix to work top with silicone as per instructions supplied.