

Brierley Quick Release, Soft Close, Seat & Cover INST01037



Specification

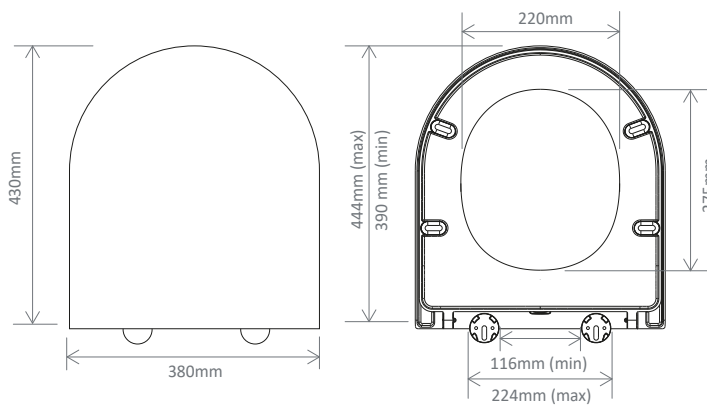
Finish	White
Dimensions	40(h) x 380(w) x 430(d) mm
Weight	2.4kg
Seat Hinge Material	Stainless Steel
Antibacterial Protection	Yes
Seat Type	Wrap Over
UV Protection	-
Max Load Test	150kg
Seat Material	Thermoset

Spares

Fixing Pack	SP18148
Fixing Bolts	SP18153
Buffer Set	SP17583

FAQs

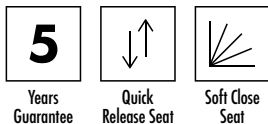
Please see next page



Extra Dimensions

Seat/Lid Front to Back – 430mm
 Seat/Lid Left to Right – 380mm
 Ring Hole Front to Back – 275mm
 Ring Hole Left to Right – 220mm
 Seat Overall Thickness – 40mm
 Width of Back of Seat – 380mm

Key Features + Benefits



5 Years Guarantee Quick Release Seat Soft Close Seat

Certifications + Approvals

Roper Rhodes

Brassmill Lane Trading Estate, Bath, BA1 3JF. Technical Support – Tel: 01225 303 900 Email: sales@roperrhodes.co.uk

All information on the data sheet is correct at the time of publication. All measurements are approximate and subject to standard tolerances.

Firbeck Quick Release, Soft Close, Wrap-Over Seat & Cover INST01054

FAQs

Q – What's the maximum test load of the seat?

A – 150kg.

Q – What are the fixings made from?

A – Stainless Steel Cover Plates/Screws, Nylon Anchor Plates, Rubber Washers, Rubber Fixing Plugs.