

### Brierley Short Projection Rimless Wall Hung Pan INST01036, INST01037



#### Seat Specification

Quick Release, Soft Close, Seat & Cover  
(INST01037)

Finish	White
Dimensions	40(h) x 380(w) x 430(d) mm
Weight	2.4kg
Seat Hinge Material	Stainless Steel
Antibacterial Protection	Yes
Seat Type	Wrap Over
UV Protection	-
Max Load Test	150kg
Seat Material	Thermoset

#### Pan Specification

Short Projection Rimless Wall Hung Pan  
(INST01036)

Finish	White
Dimensions	350(h) x 380(w) x 495(d) mm
Weight	23kg
Fixing Supplied	Yes
Fixing Exposed or Concealed	Concealed (through seat holes)

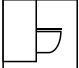

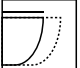


#### Spares

Wall Hung Pan Fixing Kit	SP18524
--------------------------	---------

#### FAQs

Please see next page

#### Key Features + Benefits

<b>20</b>	<b>5</b>	<b>2</b>					
Years Guarantee on Ceramics	Years Guarantee on Seats	Years Guarantee on Cistern Components	Wall Hung Pan	Rimless Pan	Short Projection Pan	Quick Release Seat	Soft Close Seat

#### Certifications + Approvals

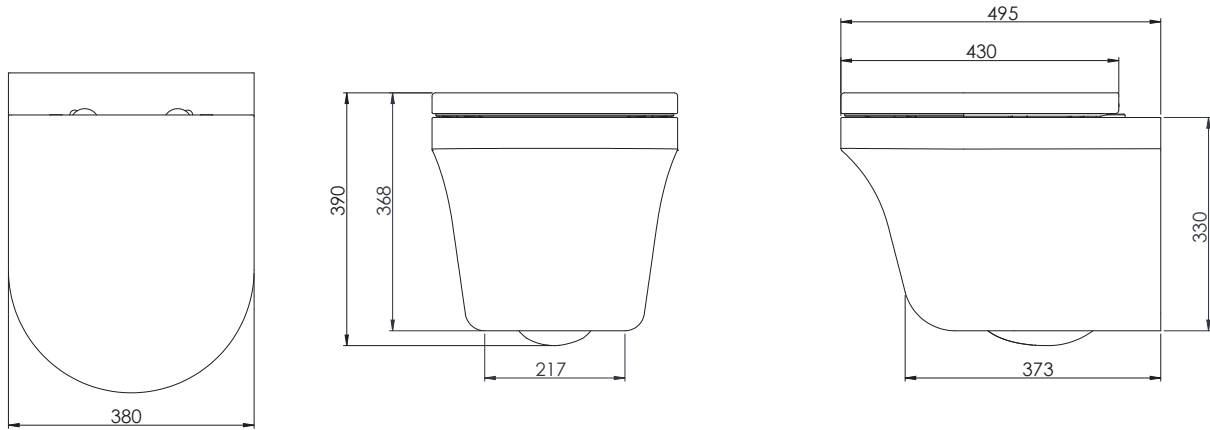
#### Roper Rhodes

Brassmill Lane Trading Estate, Bath, BA1 3JF. Technical Support – Tel: 01225 303 900 Email: sales@roperrhodes.co.uk

All information on the data sheet is correct at the time of publication. All measurements are approximate and subject to standard tolerances.

### Brierley Short Projection Rimless Wall Hung Pan INST01036, INST01037

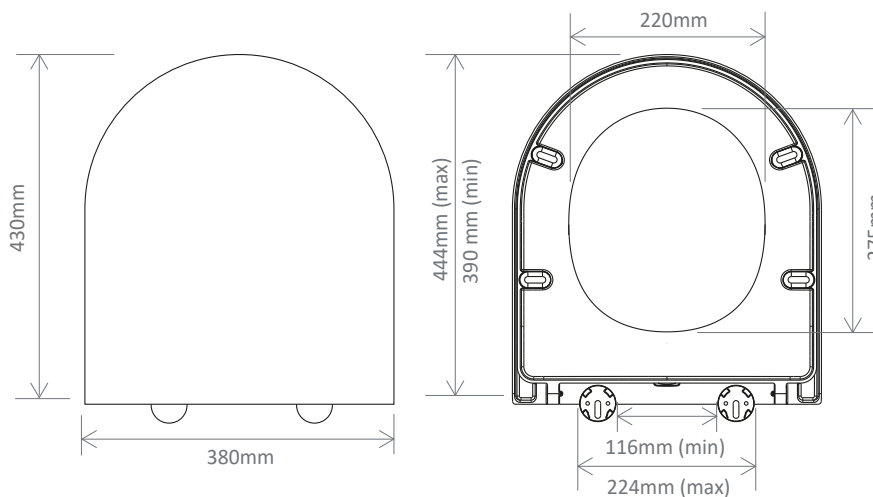
#### Pan (INST01036)



#### Extra Dimensions

Front to Back Footprint – 340mm  
 Left to Right Footprint – 230mm  
 Bowl Front to Back – 330mm  
 Bowl Left to Right – 280mm  
 Pan Height – 330mm  
 Pan Overall Front to Back – 495mm

#### Seat (INST01037)



#### Extra Dimensions

Seat/Lid Front to Back – 430mm  
 Seat/Lid Left to Right – 380mm  
 Ring Hole Front to Back – 275mm  
 Ring Hole Left to Right – 220mm  
 Seat Overall Thickness – 40mm  
 Width of Back of Seat – 380mm

#### Roper Rhodes

Brassmill Lane Trading Estate, Bath, BA1 3JF. Technical Support – Tel: 01225 303 900 Email: sales@roperrhodes.co.uk

All information on the data sheet is correct at the time of publication. All measurements are approximate and subject to standard tolerances.

### Brierley Short Projection Rimless Wall Hung Pan INST01036, INST01037

#### FAQs

**Q – Do I need to use a wall hung frame?**

A – Yes. It is essential that this product is installed onto a frame.

**Q – Does the pan use Concealed fixings?**

A – Yes, supplied with pan.

**Q – How do I access the concealed fixings?**

A – Concealed fixings are secured through the seat fixing holes before seat is assembled.

**Q – What's the maximum test load of the seat?**

A – 150kg.

**Q – What are the seat fixings made from?**

A – Stainless Steel Cover Plates/Screws, Stainless Steel Anchor Plates, Rubber Washers, Rubber Fixing Plugs.