

Brierley Rimless Wall Hung Pan INST01036, INST01037



Seat Specification

Quick Release, Soft Close, Seat & Cover
(INST01037)

Finish	White
Dimensions	40(h) x 380(w) x 430(d) mm
Weight	2.4kg
Seat Hinge Material	Stainless Steel
Antibacterial Protection	Yes
Seat Type	Wrap Over
UV Protection	-
Max Load Test	150kg
Seat Material	Thermoset

Pan Specification

Rimless Wall Hung Pan
(INST01036)

Finish	White
Dimensions	350(h) x 380(w) x 495(d) mm
Weight	23kg
Fixing Supplied	Yes
Fixing Exposed or Concealed	Concealed (through seat holes)

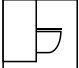



Spares

Wall Hung Pan Fixing Kit	SP18524
--------------------------	---------

FAQs

Please see next page

Key Features + Benefits

20	5	2				
Years Guarantee on Ceramics	Years Guarantee on Seats	Years Guarantee on Cistern Components	Wall Hung Pan	Rimless Pan	Quick Release Seat	Soft Close Seat

Certifications + Approvals

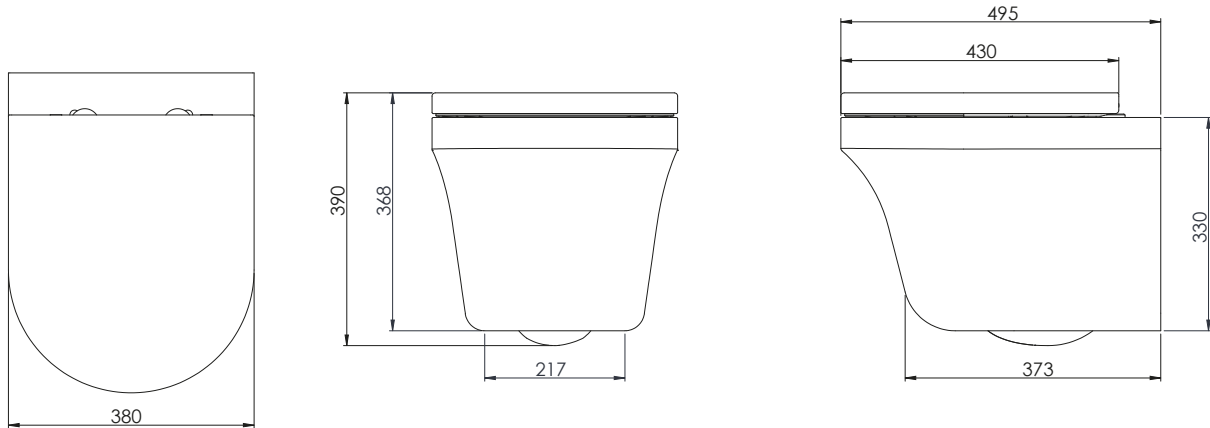
Roper Rhodes

Brassmill Lane Trading Estate, Bath, BA1 3JF. Technical Support – Tel: 01225 303 900 Email: sales@roperrhodes.co.uk

All information on the data sheet is correct at the time of publication. All measurements are approximate and subject to standard tolerances.

Brierley Rimless Wall Hung Pan INST01036, INST01037

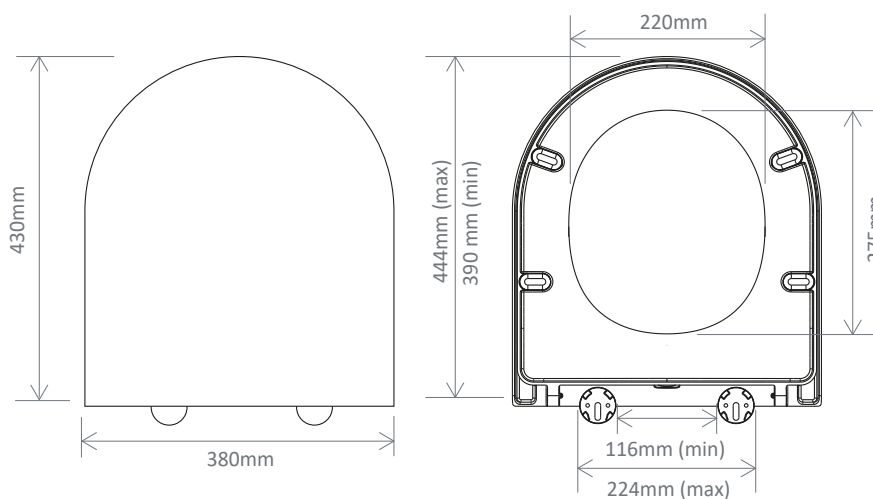
Pan (INST01036)



Extra Dimensions

Front to Back Footprint – 340mm
 Left to Right Footprint – 230mm
 Bowl Front to Back – 330mm
 Bowl Left to Right – 280mm
 Pan Height – 330mm
 Pan Overall Front to Back – 495mm

Seat (INST01037)



Extra Dimensions

Seat/Lid Front to Back – 430mm
 Seat/Lid Left to Right – 380mm
 Ring Hole Front to Back – 275mm
 Ring Hole Left to Right – 220mm
 Seat Overall Thickness – 40mm
 Width of Back of Seat – 380mm

Roper Rhodes

Brassmill Lane Trading Estate, Bath, BA1 3JF. Technical Support – Tel: 01225 303 900 Email: sales@roperrhodes.co.uk

All information on the data sheet is correct at the time of publication. All measurements are approximate and subject to standard tolerances.

Brierley Rimless Wall Hung Pan INST01036, INST01037

FAQs

Q – Do I need to use a wall hung frame?

A – Yes. It is essential that this product is installed onto a frame.

Q – Does the pan use Concealed fixings?

A – Yes, supplied with pan.

Q – How do I access the concealed fixings?

A – Concealed fixings are secured through the seat fixing holes before seat is assembled.

Q – What's the maximum test load of the seat?

A – 150kg.

Q – What are the seat fixings made from?

A – Stainless Steel Cover Plates/Screws, Stainless Steel Anchor Plates, Rubber Washers, Rubber Fixing Plugs.