

Brierley Comfort Height Short Projection Rimless Back To Wall Pan INST01035, INST01037



Seat Specification

Quick Release, Soft Close, Seat & Cover
(INST01037)

Finish	White
Dimensions	40(h) x 380(w) x 430(d) mm
Weight	2.4kg
Seat Hinge Material	Stainless Steel
Antibacterial Protection	Yes
Seat Type	Wrap Over
UV Protection	-
Max Load Test	150kg
Seat Material	Thermoset

Pan Specification

Comfort Height Short Projection Rimless Back To Wall Pan
(INST01035)

Finish	White
Dimensions	460(h) x 380(w) x 505(d) mm
Weight	27kg
Fixing Supplied	Yes
Fixing Exposed or Concealed	Concealed

Spares

Floors Fixings Kit	SP11078
--------------------	---------

FAQs

Please see next page

Key Features + Benefits

20	5	2						
Years Guarantee on Ceramics	Years Guarantee on Seats	Years Guarantee on Cistern Components	Back To Wall Pan	Comfort Height Pan	Short Projection Pan	Rimless Pan	Quick Release Hinges	Soft Close Seat

Certifications + Approvals

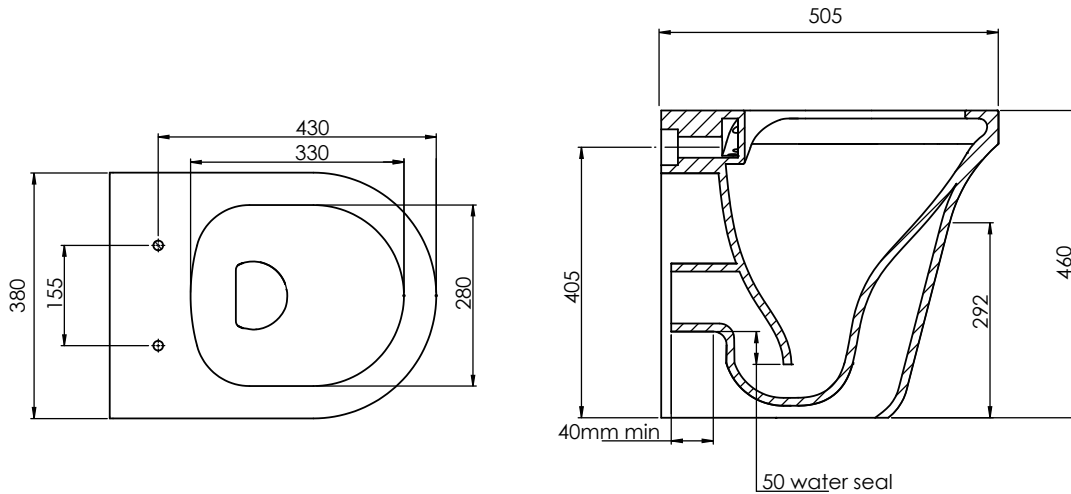
Roper Rhodes

Brassmill Lane Trading Estate, Bath, BA1 3JF. Technical Support – Tel: 01225 303 900 Email: sales@roperrhodes.co.uk

All information on the data sheet is correct at the time of publication. All measurements are approximate and subject to standard tolerances.

Brierley Comfort Height Short Projection Rimless Back To Wall Pan INST01035, INST01037

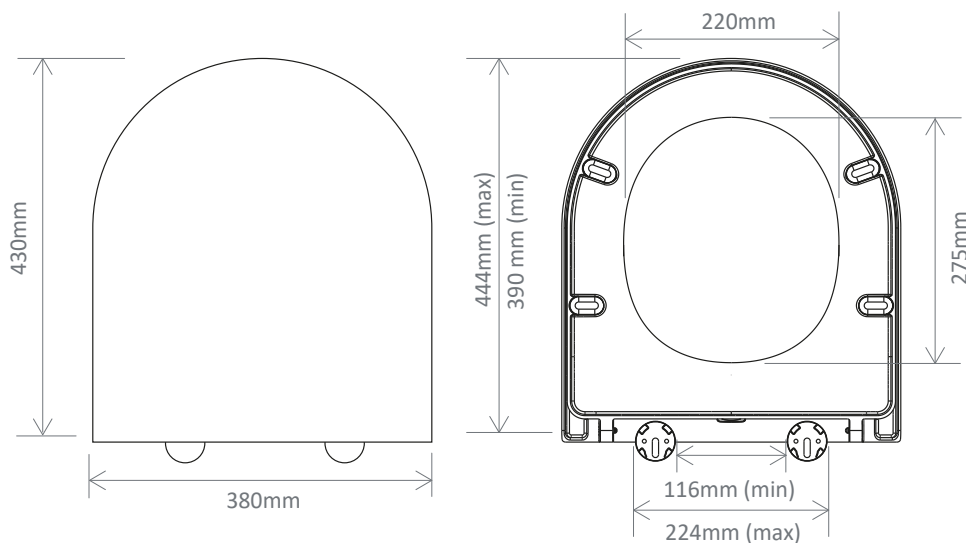
Pan (INST01035)



Extra Dimensions

Front to Back Footprint – 355mm	Centre Flush Inlet to Floor – 405mm
Left to Right Footprint – 230mm	Centre Waste Outlet to Floor – 185mm
Bowl Front to Back – 330mm	Width of Void – 200mm
Bowl Left to Right – 282mm	Is there a Ceramic Brace Bar – No
Pan Height – 460mm	Distance from Spigot to back of Pan – 30mm
Pan Overall Front to Back – 505mm	

Seat (INST01037)



Extra Dimensions

Seat/Lid Front to Back – 430mm
Seat/Lid Left to Right – 380mm
Ring Hole Front to Back – 275mm
Ring Hole Left to Right – 220mm
Seat Overall Thickness – 40mm
Width of Back of Seat – 380mm

Roper Rhodes

Brassmill Lane Trading Estate, Bath, BA1 3JF. Technical Support – Tel: 01225 303 900 Email: sales@roperrhodes.co.uk

All information on the data sheet is correct at the time of publication. All measurements are approximate and subject to standard tolerances.

Brierley Comfort Height Short Projection Rimless Back To Wall Pan INST01035, INST01037

FAQs

Q – Are there any other compatible seats?

A – No.

Q – Which concealed cistern do I use?

A – Comfort Cistern (INST13008) for furniture installations. Use INST13008 for in-wall/fixed in installations.

Q – Rim type?

A – Rimless.

Q – What's the maximum test load of the seat?

A – 150kg.

Q – What are the fixings made from?

A – Stainless Steel Cover Plates/Screws, Stainless Steel Anchor Plates, Rubber Washers, Rubber Fixing Plugs.