

Brierley Comfort Height Short Projection Rimless Closed Back Close Coupled WC Suite INST01033, INST01034, INST01037



Cistern Specification

Close Coupled Cistern
(INST01034)

Finish	White
Dimensions	420(h) x 395(w) x 140(d) mm
Weight	13.5kg
Cistern Fitting Manufacturer	R&T
Lever	Push button
Lever Position	Cistern lid
Inlet Position (When looking at WC)	Bottom right

Seat Specification

Quick Release, Soft Close, Seat & Cover
(INST01037)

Finish	White
Dimensions	40(h) x 380(w) x 430(d) mm
Weight	2.4kg
Seat Hinge Material	Stainless Steel
Antibacterial Protection	Yes
Seat Type	Wrap Over
UV Protection	-
Max Load Test	150kg
Seat Material	Thermoset

Pan Specification

Comfort Height Short Projection Rimless Closed Back
Close Coupled Pan
(INST01033)

Finish	White
Dimensions	460(h) x 380(w) x 620(d) mm
Weight	34kg
Fixing Supplied	Yes
Fixing Exposed or Concealed	Concealed

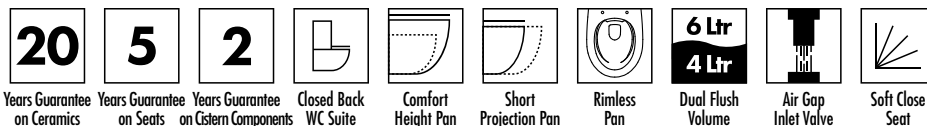
Spares

Please see next page

FAQs

Please see next page

Key Features + Benefits



Certifications + Approvals

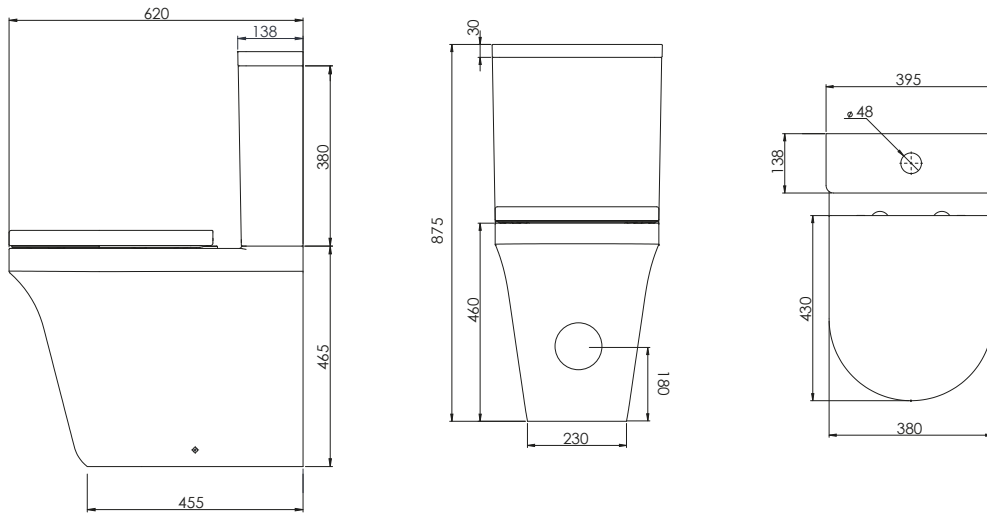
Roper Rhodes

Brassmill Lane Trading Estate, Bath, BA1 3JF. Technical Support – Tel: 01225 303 900 Email: sales@roperrhodes.co.uk

All information on the data sheet is correct at the time of publication. All measurements are approximate and subject to standard tolerances.

Brierley Comfort Height Short Projection Rimless Closed Back Close Coupled WC Suite INST01033, INST01034, INST01037

Pan (INST01032) + Cistern (INST01034)

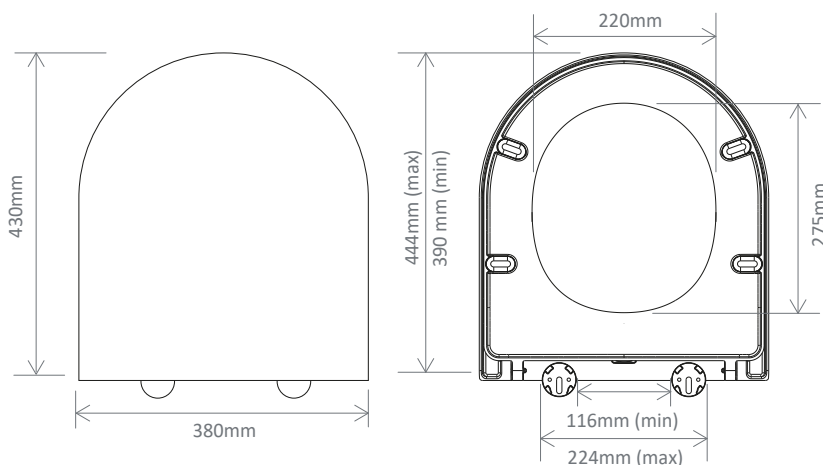


Extra Dimensions

Front to Back Footprint – 455mm
Left to Right Footprint – 230mm
Bowl Front to Back – 330mm
Bowl Left to Right – 282mm
Pan Height (+Cistern) – 465mm (875mm)
Pan Overall Front to Back – 620mm

Centre Waste Outlet to Floor – 180mm
Width of Void – 200mm
Is there a Ceramic Brace Bar – No
Distance from Spigot to back of Pan – 160mm

Seat (INST01037)



Extra Dimensions

Seat/Lid Front to Back – 430mm
Seat/Lid Left to Right – 380mm
Ring Hole Front to Back – 275mm
Ring Hole Left to Right – 220mm
Seat Overall Thickness – 40mm
Width of Back of Seat – 380mm

Spares

Floor Fixing Kit	SP11078
Bottom Fill Cistern Fittings	SP18147
Flush Valve with Telescopic Overflow (A24232)	INST02043
Rubber Flap Seal (For A24232 Flush Valve)	SP19617
Air Gap Inlet Valve (Tall)	SP19528
Rubber Diaphragm (Air Gap Inlet Valve)	SP19616
Rubber Gasket / Donut (Ø88mm)	SP19539
Brass Tank Fixing Bolt Set (With M6*80mm Bolts)	SP19542
Chrome Flush Button (Ø48mm Hole)	SP19534
Black Flush Button (Ø48mm Hole)	INST02037
Brushed Brass Flush Button (Ø48mm Hole)	INST02045

Roper Rhodes

Brassmill Lane Trading Estate, Bath, BA1 3JF. Technical Support – Tel: 01225 303 900 Email: sales@roperrhodes.co.uk

All information on the data sheet is correct at the time of publication. All measurements are approximate and subject to standard tolerances.

Brierley Comfort Height Short Projection Rimless Closed Back Close Coupled WC Suite INST01033, INST01034, INST01037

FAQs

Q – Where is the inlet valve?

A – Bottom inlet, back right of the pan.

Q – What is the flush volume?

A – 6/4L.

Q – Can this pan be used with a side connection outlet pipe?

A – Yes.

Q – Are there any other compatible seats?

A – No.

Q – Is this WC rimless or box rim?

A – Rimless.

Q – Does it have an airgap?

A – Yes.

Q – What's the maximum test load of the seat?

A – 150kg.

Q – What are the fixings made from?

A – Stainless Steel Cover Plates/Screws, Stainless Steel Anchor Plates, Rubber Washers, Rubber Fixing Plugs.