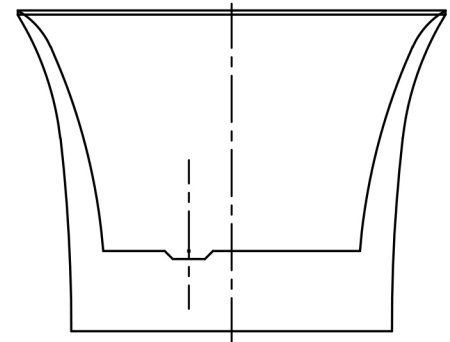
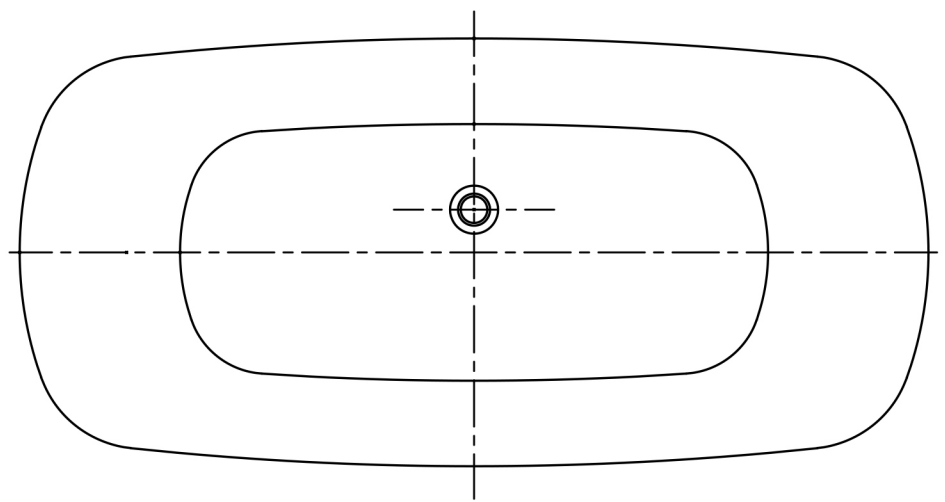


450±10
600±10



150

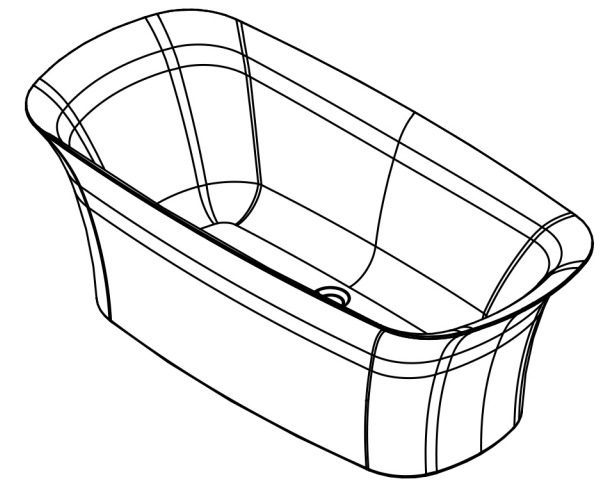


80±15
480

800±10

1100

1700±10



Unit:mm

Compiled information is subject to change without prior notice

MODEL No.
