

Technical Data Sheet | Bath Waste

www.instinctproducts.co.uk

Bath P Trap INSHE2PTC, INSHE2PTBB

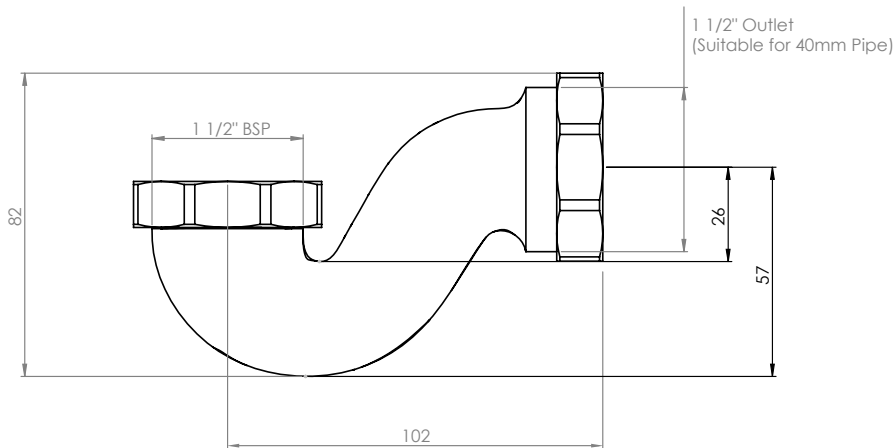


Specification

Finish	Chrome (INSHE2PTC) Brushed Brass (INSHE2PTBB)
Dimensions	52(h) x 128(w) x 45(d) mm
Weight	0.5kg
Waste Body Material	Brass
Back Nut	-
Slotted / Unslotted	-
Plug Type	-
Pipe Extension Length	-
Flange Size	-
Overflow Projection	-
Threaded Tail Length	-

FAQs

Please see next page



Key Features + Benefits

10

Years
Guarantee

Certifications + Approvals

Roper Rhodes
Brassmill Lane Trading Estate, Bath, BA1 3JF. Technical Support – Tel: 01225 303 900 Email: sales@roperrhodes.co.uk

All information on the data sheet is correct at the time of publication. All measurements are approximate and subject to standard tolerances.

Technical Data Sheet | Bath Waste

www.instinctproducts.co.uk

Bath P Trap

INSHE2PTC, INSHE2PTBB

FAQs

Q – Which bathtubs is this waste kit compatible with?

A – This click waste is compatible with all Hemsworth II bath tubs.

Q – What pipework can be used with the outlet of the P Trap?

A – This trap is compatible with the Instinct exposed drain pipes, INSHE2DPC & INSHE2DPBB or with 40mm PVC pipe.