

Technical Data Sheet | Bath Waste

www.instinctproducts.co.uk

Bath Overflow Plug + Chain INSHE2OPC, INSHE2OPBB

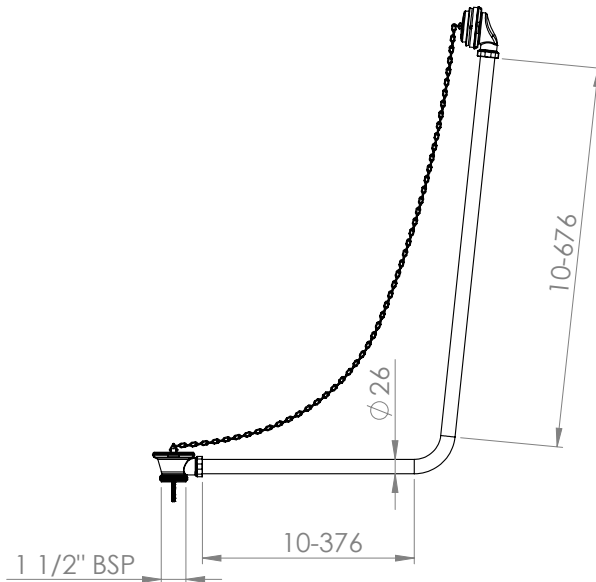


Specification

Finish	Chrome (INSHE2OPC) Brushed Brass (INSHE2OPBB)
Dimensions	110-770(h) x 135-400(w) x 45(d) mm
Weight	2.2kg
Waste Body Material	Brass
Back Nut	-
Slotted / Unslotted	-
Plug Type	Plug and chain
Pipe Extension Length	-
Flange Size	-
Overflow Projection	-
Threaded Tail Length	-

FAQs

Please see next page



Key Features + Benefits

10

Years
Guarantee

Certifications + Approvals

Roper Rhodes

Brassmill Lane Trading Estate, Bath, BA1 3JF. Technical Support – Tel: 01225 303 900 Email: sales@roperrhodes.co.uk

All information on the data sheet is correct at the time of publication. All measurements are approximate and subject to standard tolerances.

Technical Data Sheet | Bath Waste

www.instinctproducts.co.uk

Bath Overflow Plug + Chain INSHE2OPC, INSHE2OPBB

FAQs

Q – Which bathtubs is this waste kit compatible with?

A – This click waste is compatible with all Hemsworth II bath tubs.

Q – How do I modify the overall length and height?

A – The overflow pipe can be cut down from each end using a pipe cutter or a hacksaw.

Q – How long is the chain for the chain waste?

A – The chain is 900mm in length.

Q – Can the length of the chain be changed?

A – No, the chain is a fixed length.

Q – What thickness of bathtub can this waste kit work with?

A – Minimum thickness: 1mm. Maximum thickness: 25mm.