

Bath Drain Pipe INSHE2DPC, INSHE2DPBB

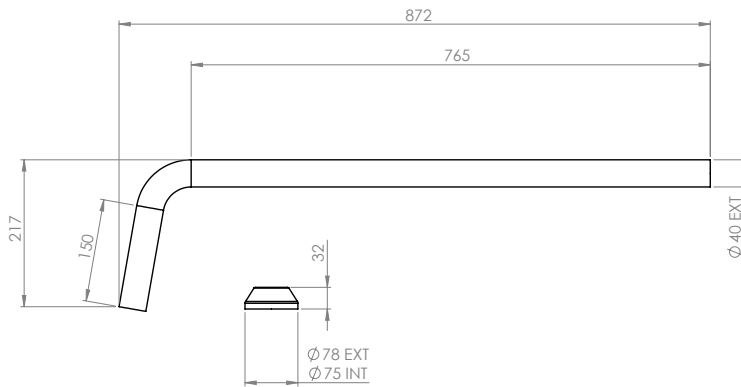


Specification

Finish	Chrome (INSHE2DPC) Brushed Brass (INSHE2DPBB)
Dimensions	217(h) x 872(w) x 78(d) mm
Weight	0.5kg
Waste Body Material	Brass
Back Nut	-
Slotted / Unslotted	-
Plug Type	-
Pipe Extension Length	-
Flange Size	-
Overflow Projection	-
Threaded Tail Length	-

FAQs

Please see next page



Key Features + Benefits

10

Years
Guarantee

Certifications + Approvals

Technical Data Sheet | Bath Waste

Bath Drain Pipe

INSHE2DPC, INSHE2DPBB

FAQs

Q – Which bathtubs is this waste kit compatible with?

A – This click waste is compatible with all Hemsworth II bath tubs.

Q – Is the drain pipe only suitable for use where the waste is in the floor?

A – No, the pipe can be cut before the bend to enable connection between the bath tub and a waste pipe which exits through the wall if required.

Please note, the length of the drain pipe should be modified to suit the installation requirements by cutting down each end to a suitable length.