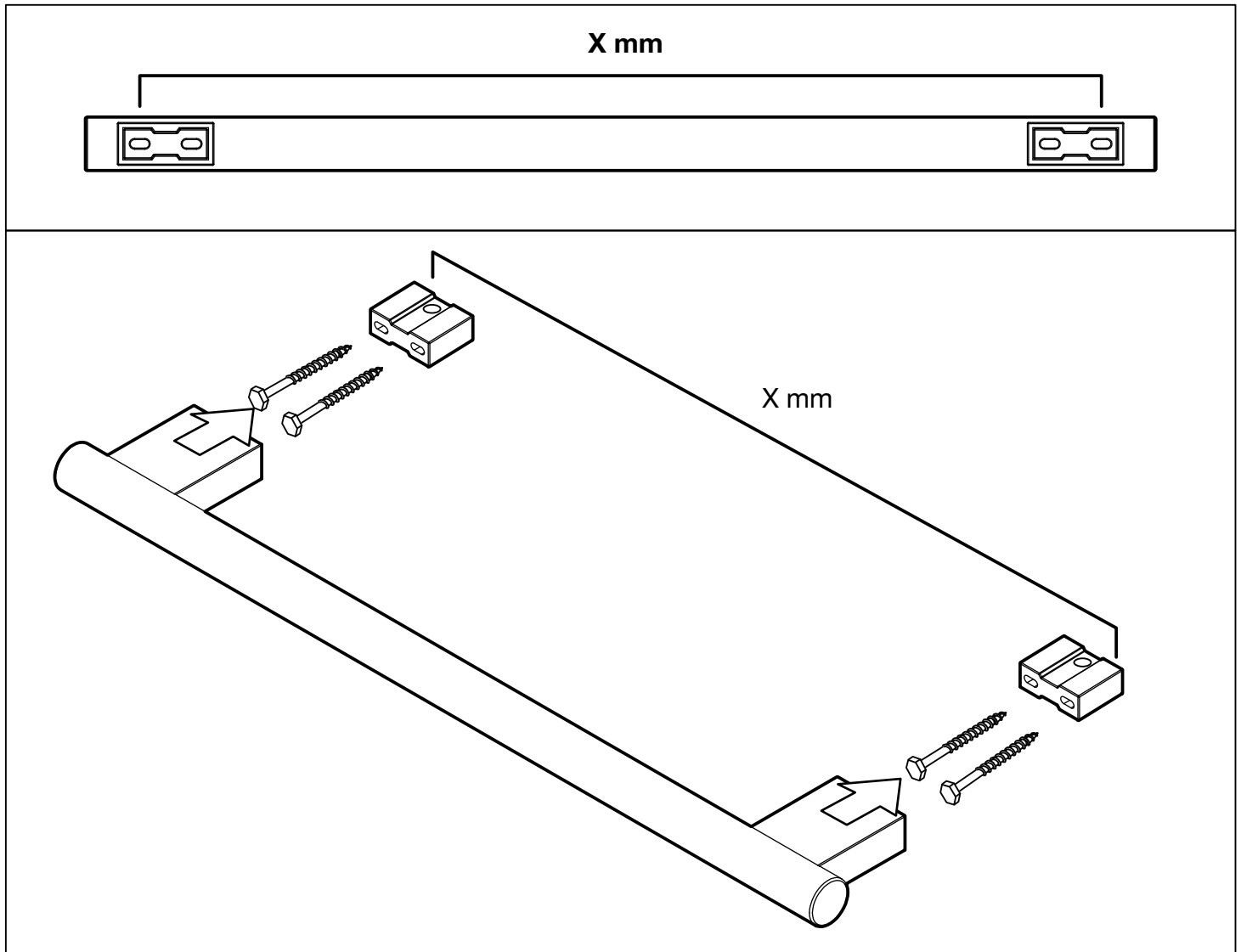


# Grab Bar Installation Instructions

## IMPORTANT

Wear suitable eye protection when drilling. Take care when using power tools near water - the use of a residual current device (RCD) is recommended. Beware of hidden pipes or cables. Take care when drilling tiled surfaces as the drill might slip. A piece of masking tape applied to the wall before marking the fixing holes will stop the drill wandering.



1. Measure the distance between the centres of the two outer holes (X mm) on the wall fixings on the back of the grab rail. Doing so will allow a small amount of adjustment from the slotted holes during installation.

2. Offer up the wall mounted grab rail in the desired installation position. Loosen the grub screw on the underside of the grab bar rail brackets to release the wall fixings. The wall fixings have a small amount of 3M tape on the back which can be used to hold the fixings in place during installation. Using the distance measured (X mm) to check positioning, mark on the wall the locations of all fixing holes with a pencil.

3. Using an appropriate sized drill bit, drill holes in the positions marked, deep enough to fit the wall plugs supplied. Secure the wall fixings to the wall with the fixing bolts provided.

**NOTE: Ensure the hole in the wall fixings are positioned closest to the wall. This enables the grub screw fixing on the rail brackets to assemble in the correct place on the wall fixing.**

4. Slide the grab bar rail brackets onto the wall fixings and tighten the grub screw in position to fix the bar in place. Assembly is complete.

## AFTERCARE INSTRUCTIONS

Whilst this item has a high quality durable finish, it should nevertheless be treated with care. Surfaces should be cleaned using only a soft damp cloth and clean water & dried using a soft cotton cloth. Bath cleaning products, even non-scratch ones could damage the finished surface.