

BTW UNIT

INSTALLATION & AFTERCARE INSTRUCTIONS

Furniture care instructions

As with all wooden furniture, this product should be treated with care.

We recommend...

Wipe away any water splashes or condensation after use. Excessive exposure to water will deteriorate the furniture.

All bathrooms should be well ventilated with a suitable extractor fan.

To remove dirt or fingerprints, clean with a soft damp cloth and mild soapy water. Ensure this is dried immediately.

Use a wax free polish if one must be used.

For removal of lime scale deposits use a suitable proprietary cleaner. If necessary test on an inconspicuous area first.

Please DO NOT...

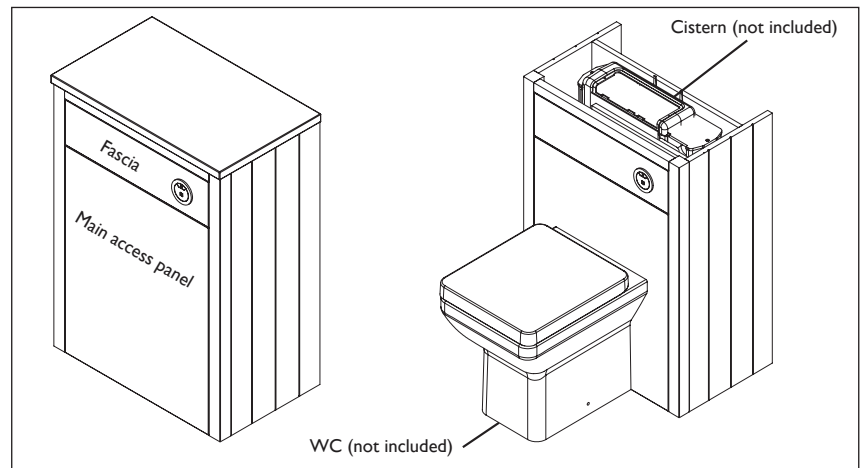
Do not scrub or scour.

Do not use abrasive cleaning agents.

Before installation

For floor standing units intended to be attached to the building: **WARNING** in order to prevent overturning this product must be used with the wall attachment device provided.

It is essential that any surfaces of the unit which are cut during installation are re-sealed using an appropriate waterproof sealant, varnish or oil based paint. Failure to re-seal cut surfaces will invalidate the product warranty and may result in water damage.



Installing WC/bidet

A normal installation of a WC would be as follows:

1. Remove the top fascia with one sharp push from the back.
2. Remove main access panel with one sharp pull upwards.
3. Position the unit ensuring correct location of supply and waste pipes.
4. Fit WC and cistern according to manufacturer's instructions - check carefully for leaks.
5. Cut a suitable slot in the mains access panel to allow for the soil pipe. Note: Cut this slot as wide as possible to make the refitting of the mains access panel easier.
6. The cut surfaces should then be sealed with an appropriate waterproof sealant. Refit the panel by sliding and pushing it back into position.
7. Drill a suitable diameter hole in the fascia for the cistern operating button and install according to manufacturer's guidelines. The holes should be vertically central to prevent the fascia rocking when the button is pushed (see Figure 1)
8. Re-fit fascia.
9. Fit worktop.

The installation of a bidet is identical, except there is no requirement for a cistern & operating button.

Note: These instructions are a guide only and may not be appropriate for all installations. Fit WC / bidet according to manufacturer's instructions. The main access panel and fascia are designed to be fitted / removed after the WC / bidet is installed.

