

## Technical Data Sheet | Modular Furniture

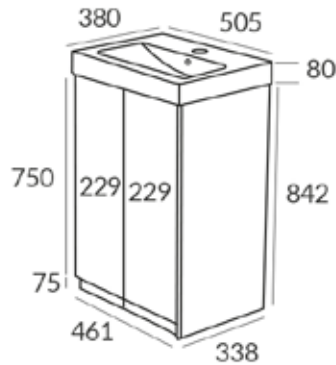
www.instinctproducts.co.uk

### Azerley 500mm Floor Standing Double Door Basin Unit INSAZ5FSUB, INSAZ5FSUO, INSAZ5FSUW, INSAZ5FSUHB



#### Specification

Finish	Natural Beige (INSAZ5FSUB) Natural Oak (INSAZ5FSUO) Walnut (INSAZ5FSUW) Henley Blue (INSAZ5FSUHB)
Dimensions	922(h) x 505(w) x 380(d) mm
Weight	21 kg
Carcass Thickness	18 mm
Carcass Material	Melimine Faced Chipboard
Carcass Finish	Melimine
Internal Cabinet Colour	Same as exterior
Plumbing Void	50 mm
Cabinet Fixing Type	Cam and Dowel
Door / Drawer Finish	Vinyl
Door / Frontal Material	Vinyl Wrapped MF MDF
Number of Doors	Two
Number of Drawers	-
Number of Internal Shelves	One
Door Handing	-
Hinge / Runner Type	Soft close
Handle / Knob	-
Handle Centres	-
Pre-Drilled / Marked for handles	-



#### Key Features + Benefits

**10**

Years  
Guarantee



Soft Close  
Doors



One Internal  
Shelf



Plumbing  
Void



One Taphole  
Basin



Quick Release  
Fascias



Blum push tip on opening

#### Certifications + Approvals

#### Zaneti Furniture

Rudgate, Tockwith, North Yorkshire, YO26 7DW. Technical Support – Tel: 0845 500 4010 Email: info@zanetifurniture.co.uk

All information on the data sheet is correct at the time of publication. All measurements are approximate and subject to standard tolerances.