

Azerley Bath Shower Mixer + Kit (Two Taphole) INSAZ004MB



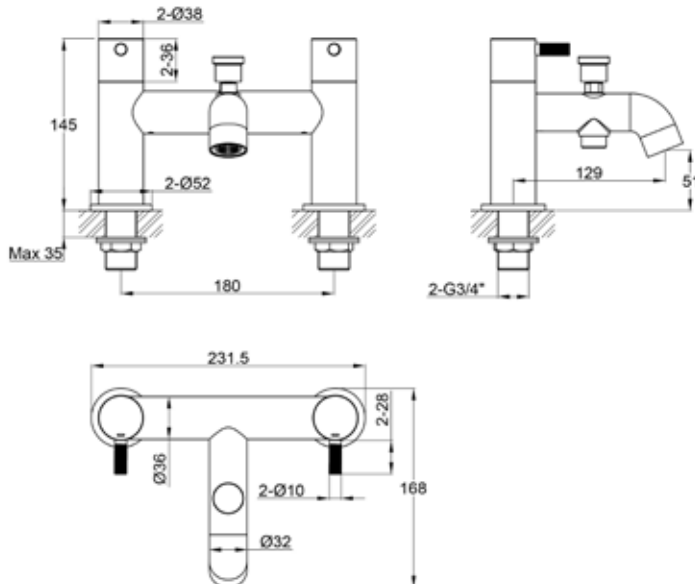
Specification

Finish	Mat Black
Dimensions	145(h) x 231.5(w) x 168(d) mm
Weight	2.67kg
Body	Brass
Spout Material	Brass
Fittings	Brass Backnut + Washer
Connection	3/4" BSP Threaded Tails
Cartridge Size	G3/4"
Flow Restrictor	No
Max Static Pressure	35 Bar
Min Operating Pressure	0.2 Bar
Max Operating Pressure	5 Bar
Max Water Temperature	65°C

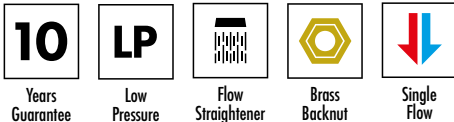
Flow Rates

Pressure	0.2	0.5	1	3
Flow Aerator	5.6	9.6	14.3	25.2

All Pressures in Bar. All flow in L/Min. Dimensions supplied are nominal and subject to tolerance. Inclusion or restrictors (sold separately unless stated) will affect flow rate result. Performance details are based on trials under test conditions and for guidance only. The Company reserves the right to change product specification without prior notice.



Key Features + Benefits



Certifications + Approvals

Flow Rate – 5.6 l/min

Tested at 0.2 Bar

Imex Ceramics

15 Millbrook Industrial Estate, Sybron Way, Crowborough TN6 3DU. Technical Support – Tel: 01530 835598 Email: sales@imexceramic.co.uk

All information on the data sheet is correct at the time of publication. All measurements are approximate and subject to standard tolerances.