

### Azerley 700 x 500mm Towel Rail (Dual Fuel) AZ0700500MW-HE

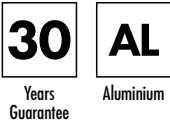


#### Specification

Finish	Matt White
Dimensions	700(h) x 500(w) x 72-81(d) mm
Weight	3.79kg
BTU Output/Hr	1123
Watts @ Δ T50°C	329
Bars	3
Pipe Centres	470mm
Electric Element Wattage	150
Face to Face Connections	-
Radiator Columns	-
Material	Aluminium

All heat outputs are shown at 50°C Δt in compliance with BSEN442. Watts and Btu's apply to Heating and Dual Fuel only.

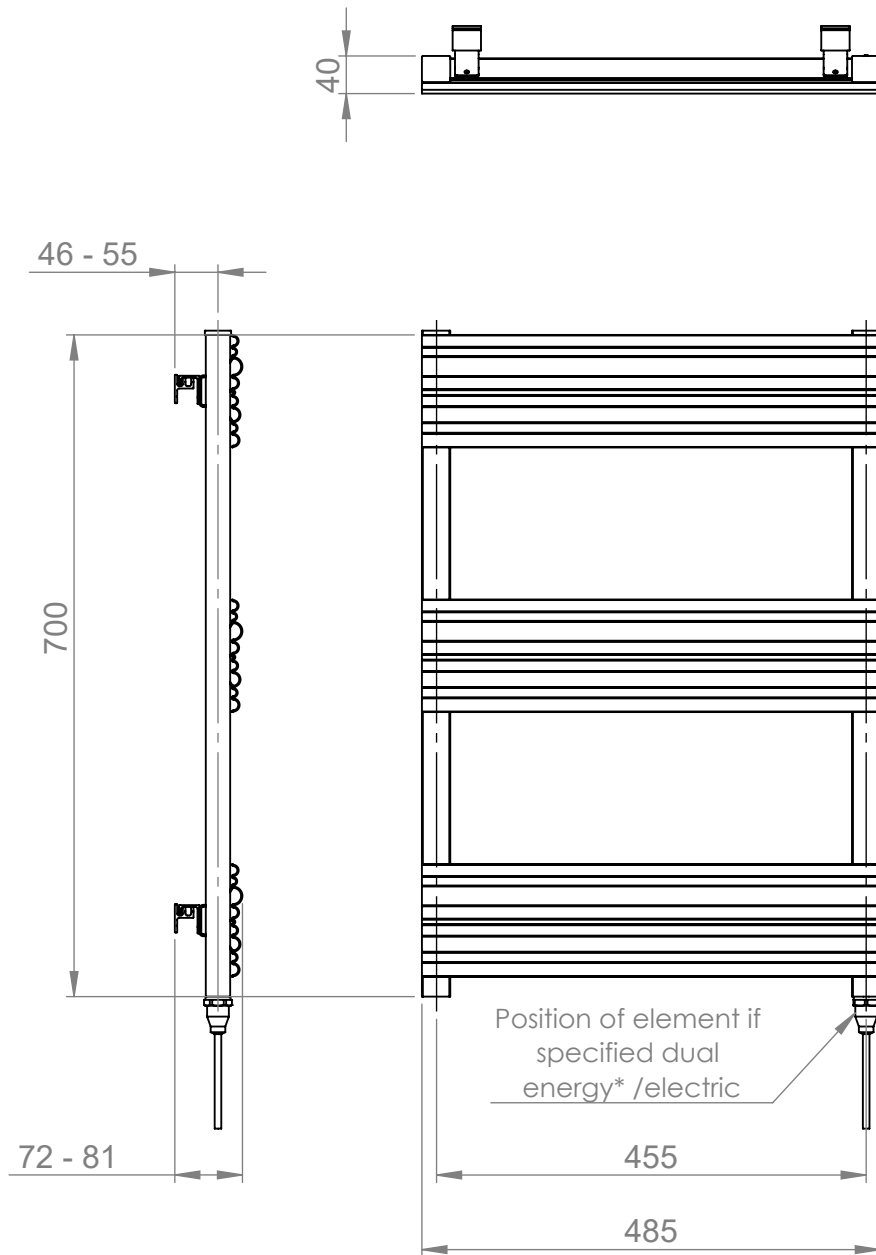
#### Key Features + Benefits



#### Certifications + Approvals

## Technical Data Sheet | Designer Towel Rails

### Azerley 700 x 500mm Towel Rail (Dual Fuel) AZ0700500MW-HE



\*Dual energy models require a conversion-tee, consult relevant drawing for details.