

### Azerley 700 x 500mm Towel Rail (Electric Only) AZ0700500MW-E



#### Specification

Finish	Matt White
Dimensions	700(h) x 500(w) x 72-81(d) mm
Weight	4.79kg
BTU Output/Hr	-
Watts @ $\Delta$ T50°C	-
Bars	3
Pipe Centres	470mm
Electric Element Wattage	150
Face to Face Connections	-
Radiator Columns	-
Material	Aluminium

All heat outputs are shown at 50°C  $\Delta$ t in compliance with BSEN442. Watts and Btu's apply to Heating and Dual Fuel only.

#### Key Features + Benefits

**30**

Years  
Guarantee

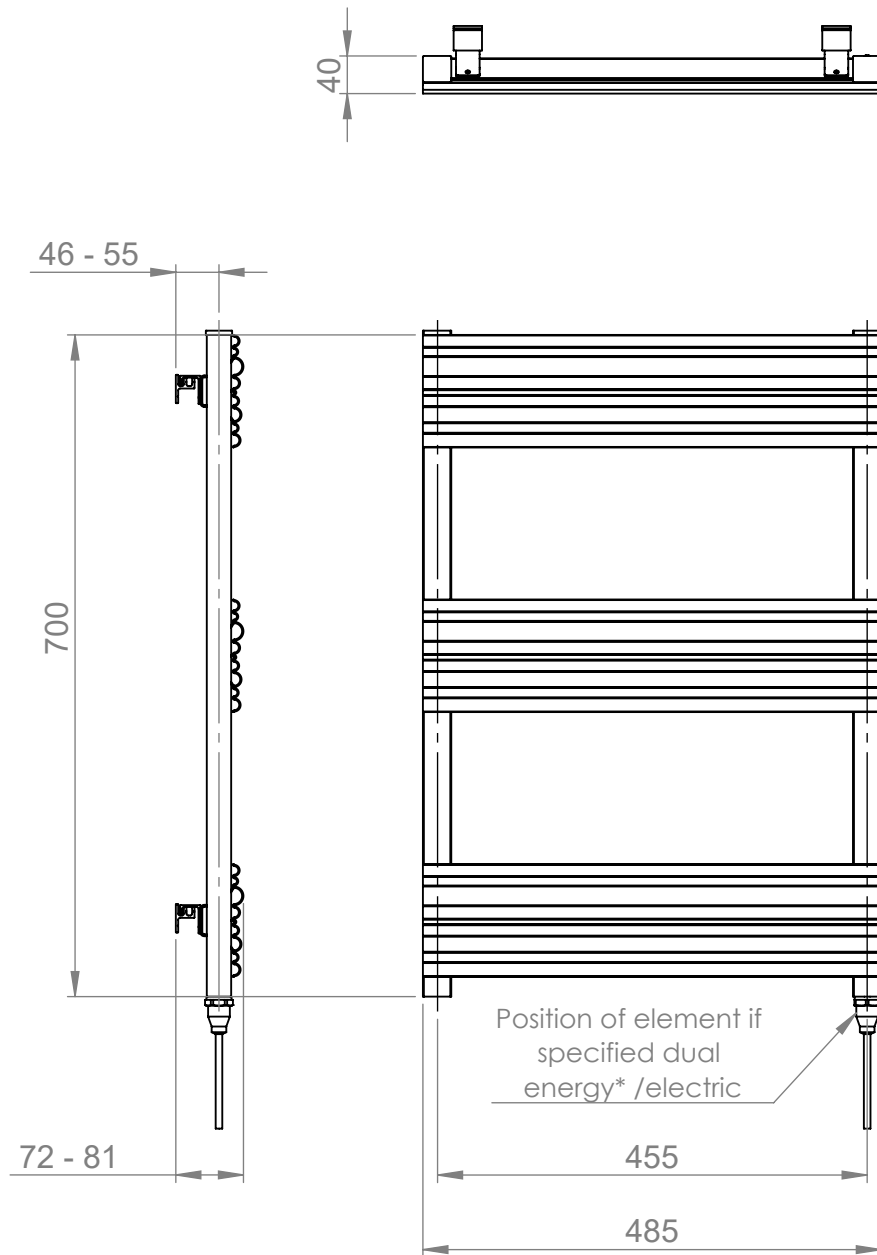
**AL**

Aluminium

#### Certifications + Approvals

## Technical Data Sheet | Designer Towel Rails

### Azerley 700 x 500mm Towel Rail (Electric Only) AZ0700500MW-E



\*Dual energy models require a conversion-tee, consult relevant drawing for details.