

### Azerley 700 x 500mm Towel Rail (Dual Fuel) AZ0700500MB-HE

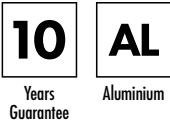


#### Specification

|                          |                               |
|--------------------------|-------------------------------|
| Finish                   | Matt Black                    |
| Dimensions               | 700(h) x 500(w) x 72-81(d) mm |
| Weight                   | 3.79kg                        |
| BTU Output/Hr            | 1123                          |
| Watts @ $\Delta$ T50°C   | 329                           |
| Bars                     | 3                             |
| Pipe Centres             | 455mm                         |
| Electric Element Wattage | 150                           |
| Face to Face Connections | -                             |
| Radiator Columns         | -                             |
| Material                 | Aluminium                     |

All heat outputs are shown at 50°C  $\Delta$ t in compliance with BSEN442. Watts and Btu's apply to Heating and Dual Fuel only.

#### Key Features + Benefits



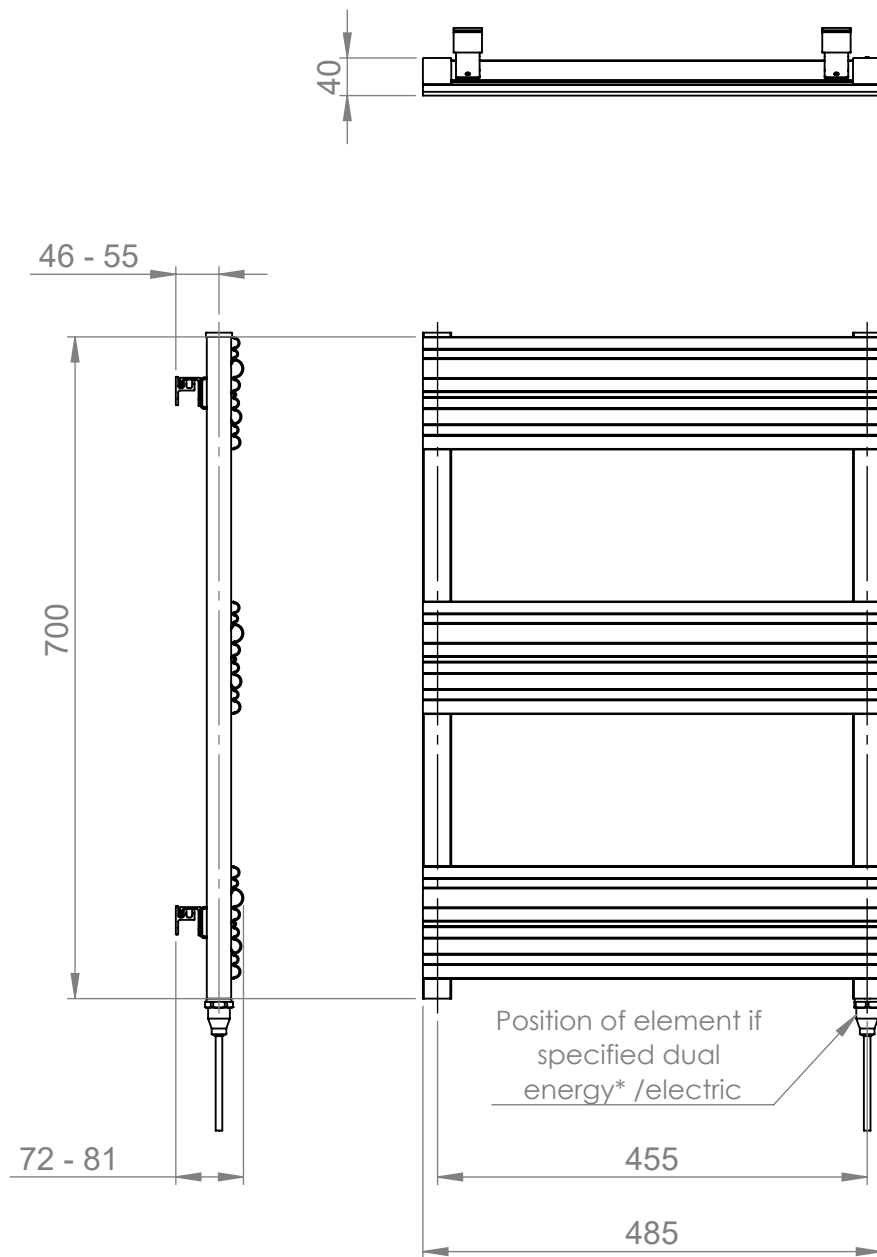
10  
Years  
Guarantee

AL  
Aluminium

#### Certifications + Approvals

## Technical Data Sheet | Designer Towel Rails

### Azerley 700 x 500mm Towel Rail (Dual Fuel) AZ0700500MB-HE



\*Dual energy models require a conversion-tee, consult relevant drawing for details.