

Azerley 700 x 500mm Towel Rail (Electric Only) AZ0700500MB-E



Specification

Finish	Matt Black
Dimensions	700(h) x 500(w) x 72-81(d) mm
Weight	4.79kg
BTU Output/Hr	-
Watts @ Δ T50°C	-
Bars	3
Pipe Centres	455mm
Electric Element Wattage	150
Face to Face Connections	-
Radiator Columns	-
Material	Aluminium

All heat outputs are shown at 50°C Δ t in compliance with BSEN442. Watts and Btu's apply to Heating and Dual Fuel only.

Key Features + Benefits



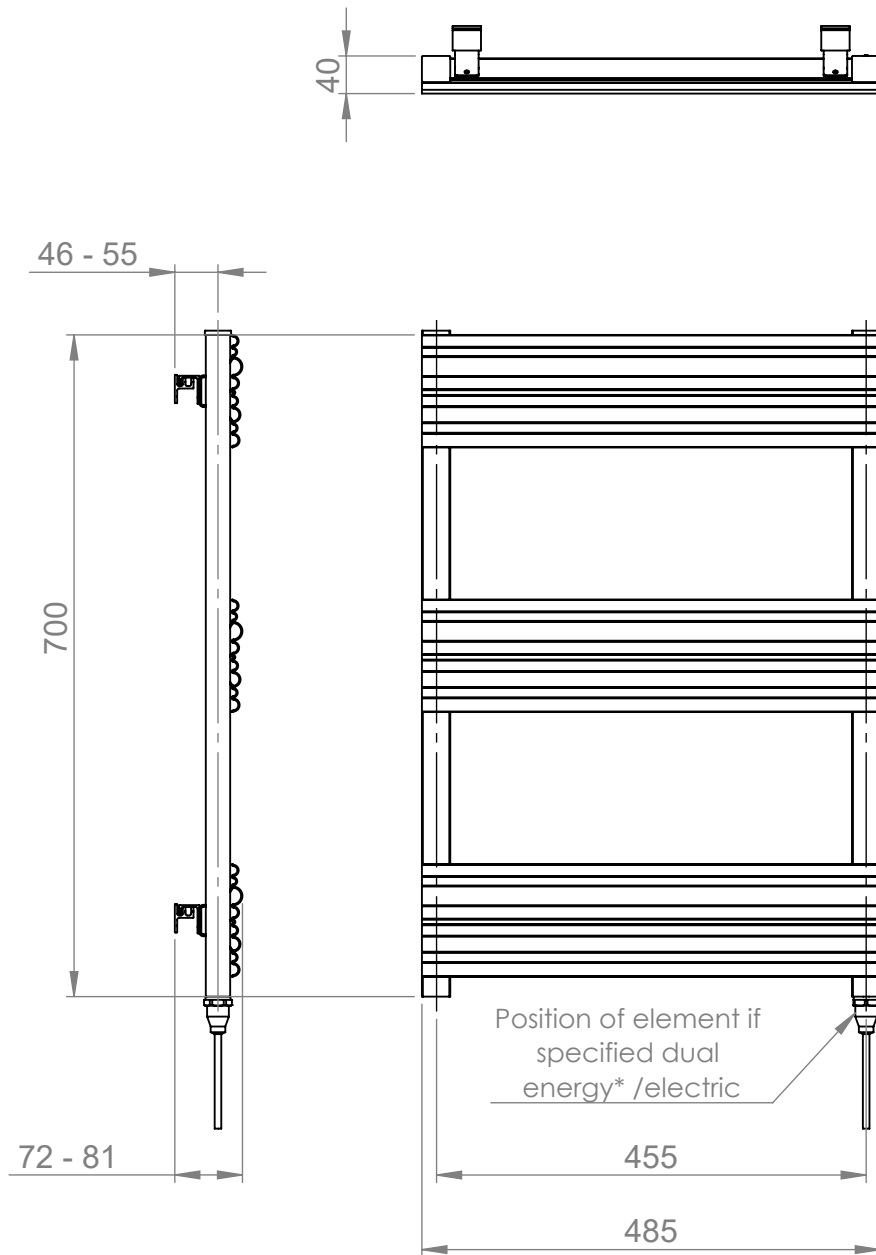
10
Years
Guarantee

AL
Aluminium

Certifications + Approvals

Technical Data Sheet | Designer Towel Rails

Azerley 700 x 500mm Towel Rail (Electric Only) AZ0700500MB-E



*Dual energy models require a conversion-tee, consult relevant drawing for details.