

### Azerley 700 x 500mm Towel Rail (Dual Fuel) AZ0700500AT-HE



#### Specification

Finish	Anthracite
Dimensions	700(h) x 500(w) x 72-81(d) mm
Weight	3.79kg
BTU Output/Hr	1123
Watts @ $\Delta$ T50°C	329
Bars	3
Pipe Centres	455mm
Electric Element Wattage	150
Face to Face Connections	-
Radiator Columns	-
Material	Aluminium

All heat outputs are shown at 50°C  $\Delta$ t in compliance with BSEN442. Watts and Btu's apply to Heating and Dual Fuel only.

#### Key Features + Benefits



10  
Years  
Guarantee

AL  
Aluminium

#### Certifications + Approvals

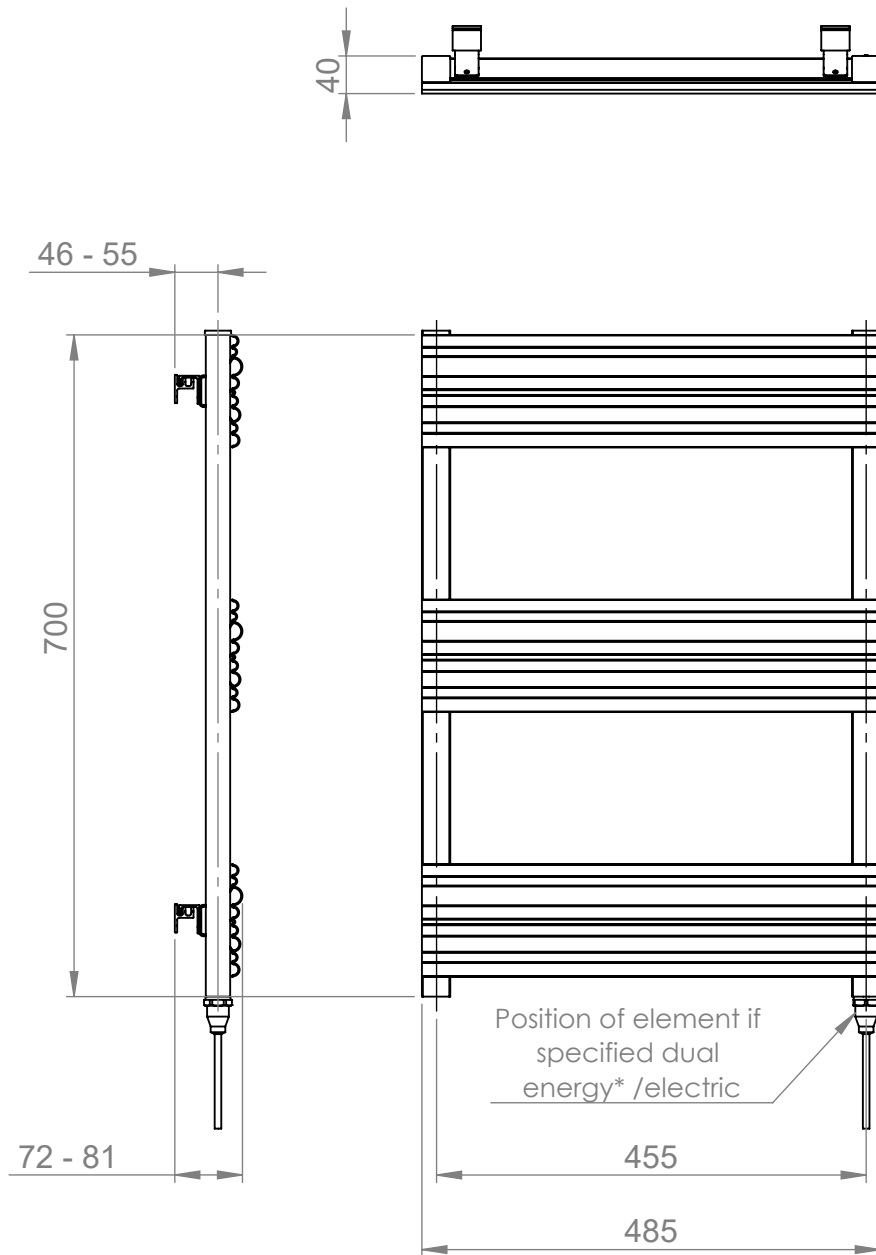
Vogue (UK) Ltd

Strawberry Lane, Willenhall, West Midlands, WV13 3RS. Technical Support – Tel: +44(0) 1902 387000 Email: sales@vogueuk.co.uk

All information on the data sheet is correct at the time of publication. All measurements are approximate and subject to standard tolerances.

## Technical Data Sheet | Designer Towel Rails

### Azerley 700 x 500mm Towel Rail (Dual Fuel) AZ0700500AT-HE



\*Dual energy models require a conversion-tee, consult relevant drawing for details.