

### Aura Aluminium Cabinet

INST06023, INST06024, INST06048, INST06025



#### Specification

	INST06023 (Single Door)	INST06024 (Double Door)	INST06048 (Double Door)	INST06025 (Large Double Door)
Finish	Aluminium	Aluminium	Aluminium	Aluminium
Dimensions	700(h) x 500(w) x 130(d) mm	700(h) x 650(w) x 130(d) mm	700(h) x 800(w) x 130(d) mm	700(h) x 1000(w) x 130(d) mm
Weight	13.4kg	16kg	24kg	22.3kg
Lighting Type	LED	LED	LED	LED
Colour Changing Technology (CCT)	Yes	Yes	Yes	Yes
Switch Location	Front	Front	Right bottom	Front
Surface/Recess Fitting	Surface	Surface	Surface	Surface
Carcass/Frame Construction Material	Aluminium	Aluminium	Aluminium	Aluminium
Carcass/Frame Finish	Aluminium	Aluminium	Aluminium	Aluminium
Number of Internal Shelves	Two	Two	Two	Two
Shelves (Fixed/Adjustable)	Adjustable	Adjustable	Adjustable	Adjustable
Door Hinge Handing	Left hand	-	-	-
Glass Thickness	3mm	3mm	3mm	3mm

#### Features

Doors	Double sided mirror doors with demist and soft close. Single door left hand hinged.
Lighting	LED lighting, colour changing, dimming.

#### FAQs

Please see following pages



#### Key Features + Benefits

<b>5</b> Years Guarantee	<b>2</b> Years Guarantee Electrical Components	 USB Charging Socket	 Charging Socket	<b>IP44</b> IP44 Rated	<b>LED</b> LED Lighting	<b>CCT</b> CCT Control Lighting
 Touch Controls	 Heated Demister Pad	 Soft Close Doors				

#### Certifications + Accreditations

#### Roper Rhodes

Brassmill Lane Trading Estate, Bath, BA1 3JF. Technical Support – Tel: 01225 303 900 Email: sales@roperrhodes.co.uk

All information on the data sheet is correct at the time of publication. All measurements are approximate and subject to standard tolerances.

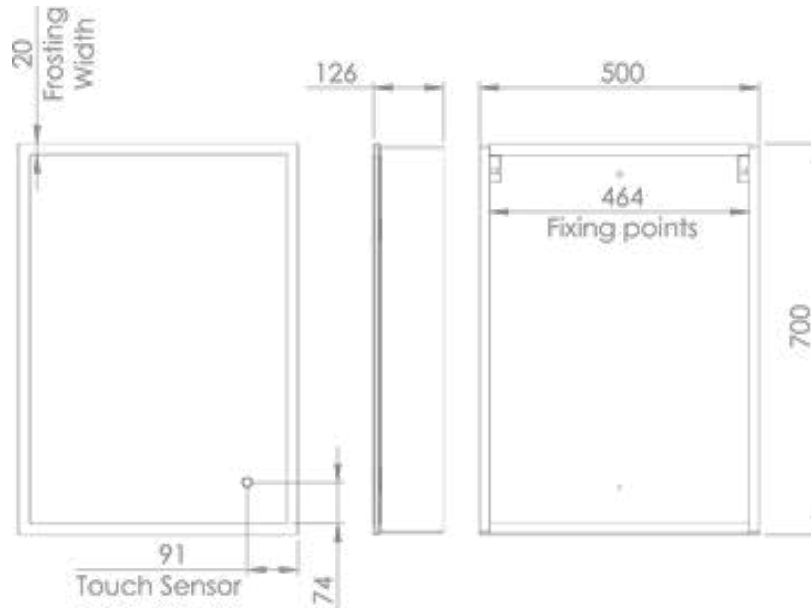
## Technical Data Sheet | Cabinets + Mirrors

www.instinctproducts.co.uk

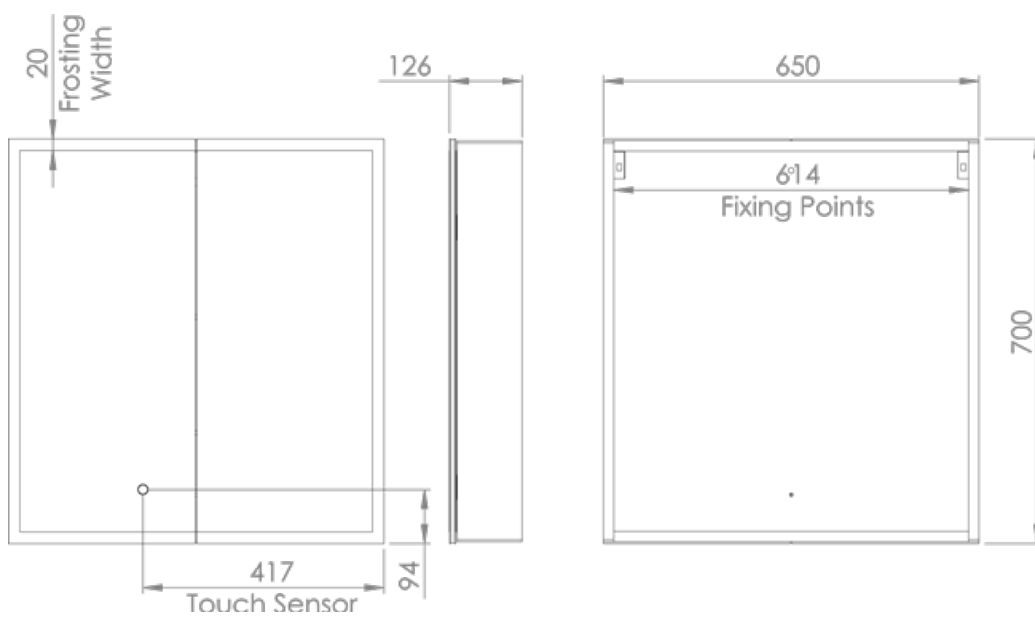
### Aura Aluminium Cabinet

INST06023, INST06024, INST06048, INST06025

#### Single Door (INST06023)



#### Double Door (INST06024)



#### Roper Rhodes

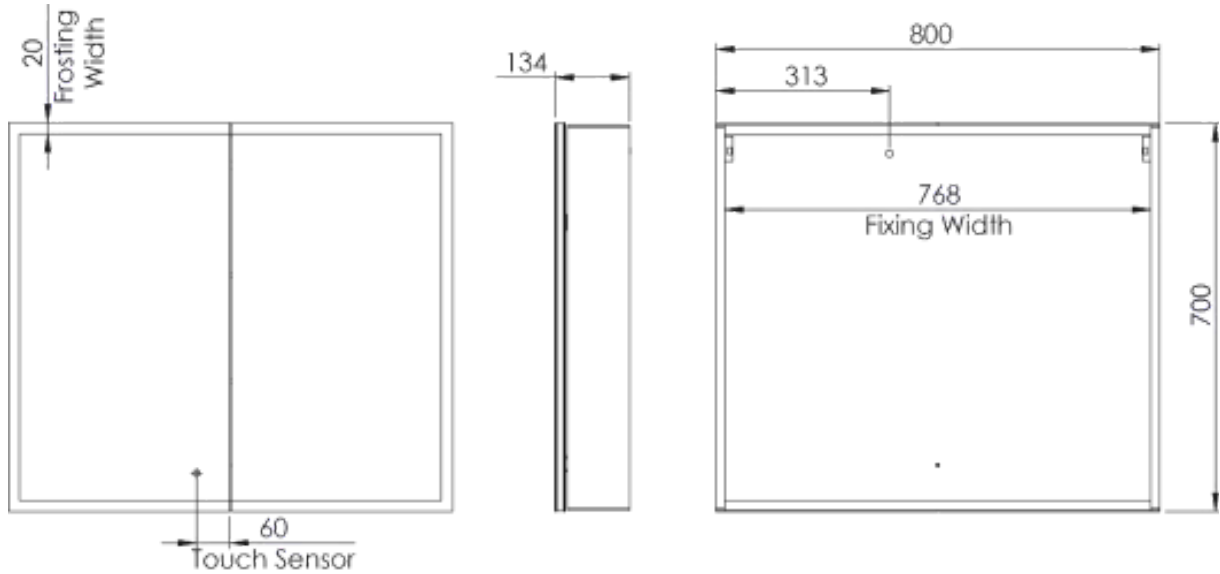
Brassmill Lane Trading Estate, Bath, BA1 3JF. Technical Support – Tel: 01225 303 900 Email: sales@roperrhodes.co.uk

All information on the data sheet is correct at the time of publication. All measurements are approximate and subject to standard tolerances.

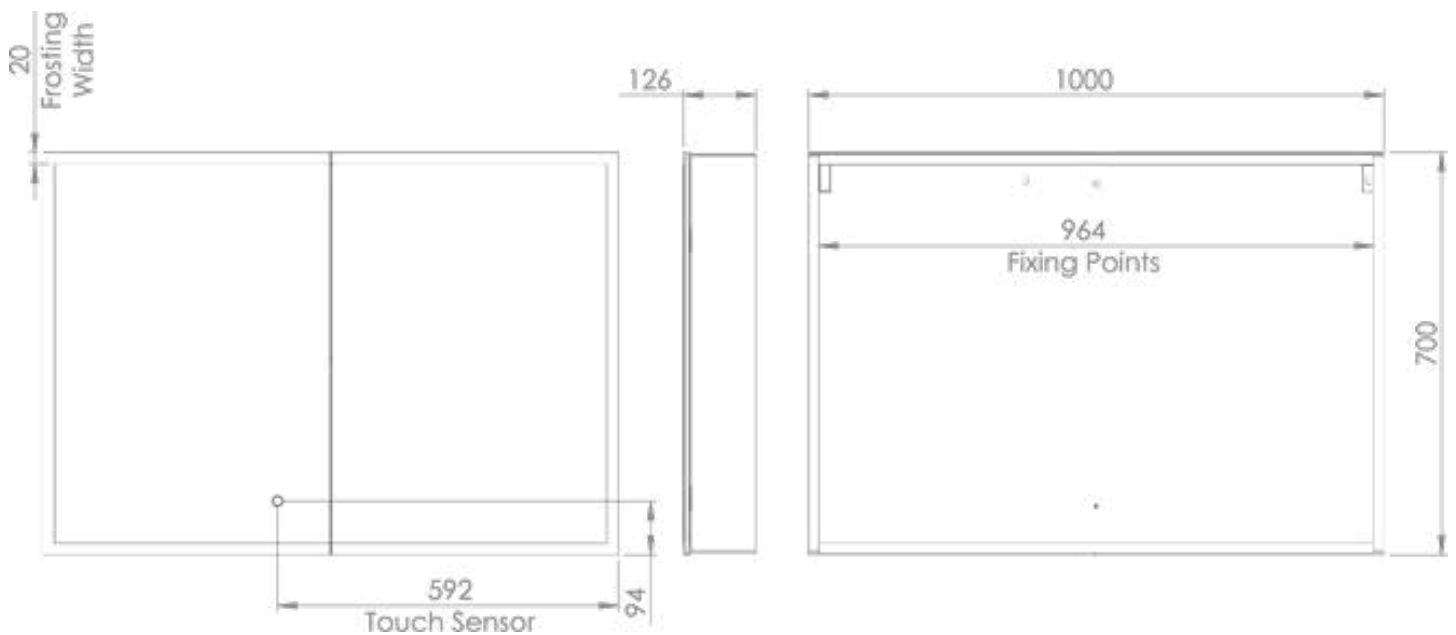
### Aura Aluminium Cabinet

INST06023, INST06024, INST06048, INST06025

#### Double Door (INST06048)



#### Large Double Door (INST06025)



## Technical Data Sheet | Cabinets + Mirrors

www.instinctproducts.co.uk

### Aura Aluminium Cabinet

INST06023, INST06024, INST06048, INST06025

### FAQs

	INST06023 (Single Door)	INST06024 (Double Door)	INST06048 (Double Door)	INST06025 (Large Double Door)
Important installation requirement				
Internal Dimensions	658(h) x 464(w) x 100(d) mm	658(h) x 614(w) x 100(d) mm	658(h) x 768(w) x 100(d) mm	658(h) x 964(w) x 100(d) mm
Shelf dimensions	456(h) x 95(w) x 8(d) mm	606(h) x 95(w) x 8(d) mm	756(h) x 95(w) x 8(d) mm	956(h) x 100(w) x 8(d) mm
Max shelf spacing	Customer can adjust to suit any spacing requirements			
Distance between door hinges	450mm	450mm	450mm	450mm
Individual door dimensions	700(h) x 500(w) x 16(d) mm	700(h) x 324(w) x 16(d) mm	700(h) x 400(w) x 16(d) mm	700(h) x 500(w) x 16(d) mm
Max door opening angle	110° Max	110° Max	110° Max	110° Max
Max depth with door open	626mm	450mm	515mm	626mm
Hanging bracket centres	-	-	-	-
What is the thickness of the mirror glass?	3mm	3mm	3mm	3mm
Is the cabinet IP44 rated?	Yes – suitable for use in bathroom zone 2			
What size fuse should I use?	Seek the advice of an electrician			
What is the total power consumption?	36.5W	66W	69W	73W
Does the cabinet have an energy rating?	Yes, It has an energy rating of – A			
What is the colour of the light and the Kelvin rating?	2700-6000K	2700-6000K	2700-6000K	2700-6000K
What is the Lumen of the LEDs?*	2193Lms	3672Lms	3978Lms	4386Lms
What is the wattage of the lights?	21.5W	38W	39W	43W
Where is the touch sensor/rocker switch located?	Front bottom right	Front left door – bottom right	Front left door – bottom right	Front left door – bottom right
Where is the shaver socket located?	Inside on the top right	Inside on the top right	Inside on the top right	Inside on the top right
Can the LED lighting be replaced?	No**	No**	No**	No**
Can the IR sensor be replaced?	No	No	No	No
What is the output of the demister pad?	15W	30W	30W	30W
What are the dimensions of the demister pad?	200(h) x 300(w) mm	400(h) x 150(w) mm	400(h) x 150(w) mm	200(h) x 300(w) mm
How do I turn on the demister pad?	The demister pad will turn on when the LEDs are turned on			
Are illuminated cabinets supplied with mains cable?	All illuminated cabinets are supplied with a removeable 500mm mains cable. There is ample storage for excess cable in the back of the unit.			

\*The Lumen represents the output of the LED. This may vary depending on the diffuser material i.e., glass or acrylic.

\*\*The LEDs are not replaceable to maintain the integrity of the product's resistance to moisture ingress.

### Roper Rhodes

Brassmill Lane Trading Estate, Bath, BA1 3JF. Technical Support – Tel: 01225 303 900 Email: sales@roperrhodes.co.uk

All information on the data sheet is correct at the time of publication. All measurements are approximate and subject to standard tolerances.