

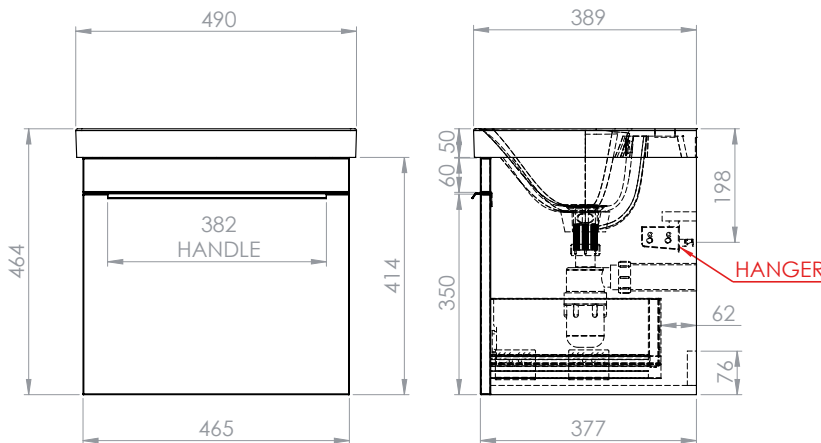
Andros 500mm Wall Mounted Single Drawer Basin Unit

INST04118107, INST04118108, INST04118109, INST041181, INST04117120

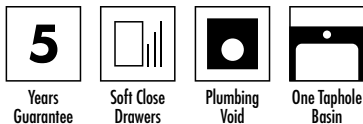


Specification

Finish	Gloss White (INST04118107) Matt Stone Grey (INST04118108) Gloss Light Grey (INST04118109) Matt Dark Blue (INST041181) Matt Nordic Green (INST04117120)
Dimensions	464(h) x 490(w) x 389(d) mm
Weight	15kg
Carcass Thickness	16mm
Carcass Material	MDF
Carcass Finish	Painted
Internal Cabinet Colour	-
Plumbing Void	63mm
Cabinet Fixing Type	Adjustable wall hangers
Door / Drawer Finish	Painted
Door / Frontal Material	MDF
Number of Doors	None
Number of Drawers	One
Number of Internal Shelves	None
Door Handing	-
Hinge / Runner Type	Soft close
Handle / Knob	One chrome plated handles (supplied)
Handle Centres	-
Pre-Drilled / Marked for handles	Pre-fitted



Key Features + Benefits



FAQs

Please see next page

Certifications + Approvals

Roper Rhodes

Brassmill Lane Trading Estate, Bath, BA1 3JF. Technical Support – Tel: 01225 303 900 Email: sales@roperrhodes.co.uk

All information on the data sheet is correct at the time of publication. All measurements are approximate and subject to standard tolerances.

Andros 500mm Wall Mounted Single Drawer Basin Unit

INST04118107, INST04118108, INST04118109, INST041181, INST04117120

FAQs

Q – How big is the plumbing void at the back of the furniture?

A – 62mm.

Q – Are the handles fitted?

A – Yes, handles are pre-fitted.

Q – Are the runners soft close?

A – The runners are both soft close and quick release.

Q – Can the drawers be adjusted?

A – The drawers of the unit can be adjusted as detailed in the supplied instructions.

Q – How deep is the unit when the drawers are fully open?

A – Approx. 660mm including handle.

Q – How do I fix the unit to the wall?

A – There are adjustable wall hangers in the unit and wall plate kit is provided as detailed in the supplied instructions.