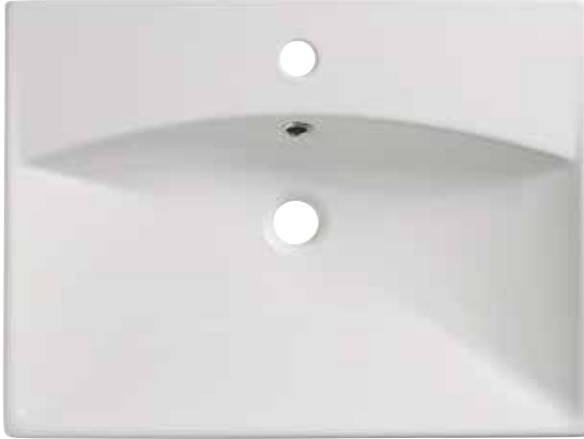


Andros 600mm Ceramic One Taphole Basin INST04110106

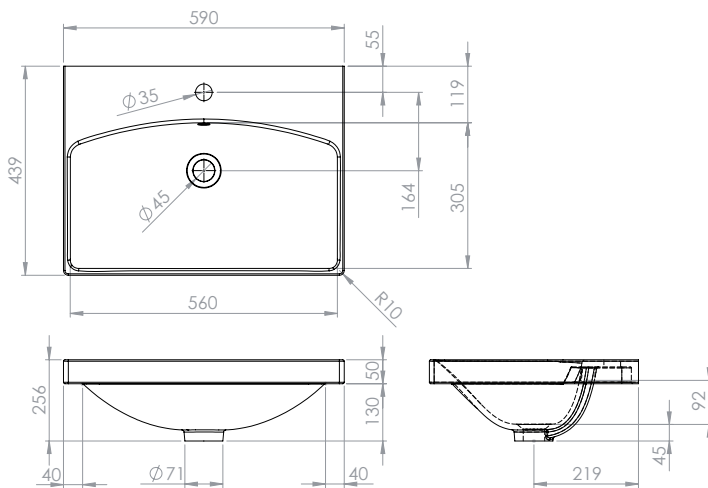


Specification

Finish	White
Dimensions	180(h) x 590(w) x 439(d) mm
Weight	13.8kg
Basin Material	Ceramic
Overflow	Yes
Chainstay Hole	No
Reversible	-
Taphole Positioning	Centre

FAQs

Please see next page



Key Features + Benefits



5
Years
Guarantee



One Taphole
Basin

Certifications + Approvals

Roper Rhodes

Brassmill Lane Trading Estate, Bath, BA1 3JF. Technical Support – Tel: 01225 303 900 Email: sales@roperrhodes.co.uk

All information on the data sheet is correct at the time of publication. All measurements are approximate and subject to standard tolerances.

Andros 600mm Ceramic One Taphole Basin INST04110106

FAQs

Q – What is the maximum water depth of the basin?

A – 92mm up to the overflow.

Q – What is the internal depth?

A – The internal depth is 140mm.

Q – What is the width of the Tapledge?

A – The Tapledge is 119mm wide.

Q – Are fixings supplied?

A – No.

Q – What is the distance from the Taphole centre to Basin Waste?

A – 164mm.

Q – Does the basin have an overflow?

A – Yes. An intergrated overflow.

Q – What are the taphole/basin waste sizes?

A – All sizes are to British Standard - (BS EN 31)

– Diameter of the central taphole = 35mm : +2/-1mm

– Bore of the waste outlet hole = 46mm : +2 / - 3mm

– Diameter of the base for the seal between the waste outlet hole and the waste fitting = ≥ 60 mm