

### Andros 500mm Ceramic One Taphole Basin INST04110105

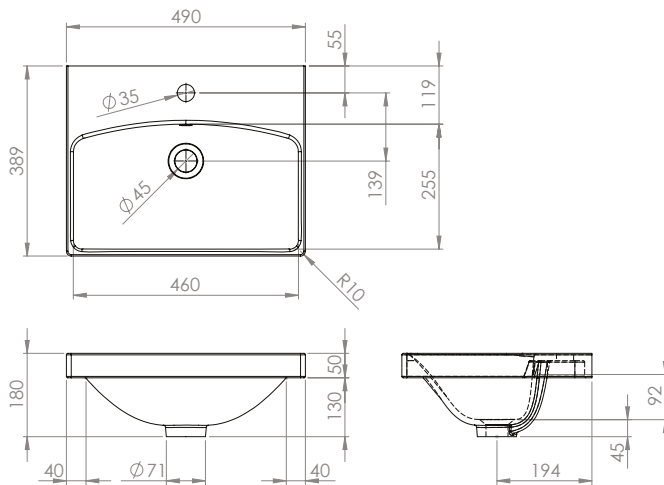


#### Specification

Finish	White
Dimensions	180(h) x 490(w) x 389(d) mm
Weight	10.8kg
Basin Material	Ceramic
Overflow	Yes
Chainstay Hole	No
Reversible	-
Taphole Positioning	Centre

#### FAQs

Please see next page



#### Key Features + Benefits



5  
Years  
Guarantee



One Taphole  
Basin

#### Certifications + Approvals

#### Roper Rhodes

Brassmill Lane Trading Estate, Bath, BA1 3JF. Technical Support – Tel: 01225 303 900 Email: sales@roperrhodes.co.uk

All information on the data sheet is correct at the time of publication. All measurements are approximate and subject to standard tolerances.

### Andros 500mm Ceramic One Taphole Basin INST04110105

#### FAQs

**Q – What is the maximum water depth of the basin?**

A – 92mm up to the overflow.

**Q – What is the internal depth?**

A – The internal depth is 140mm.

**Q – What is the width of the Tapledge?**

A – The Tapledge is 119mm wide.

**Q – Are fixings supplied?**

A – No.

**Q – What is the distance from the Taphole centre to Basin Waste?**

A – 139mm.

**Q – Does the basin have an overflow?**

A – Yes. An intergrated overflow.

**Q – What are the taphole/basin waste sizes?**

A – All sizes are to British Standard - (BS EN 31)

– Diameter of the central taphole = 35mm : +2/-1mm

– Bore of the waste outlet hole = 46mm : +2 / - 3mm

– Diameter of the base for the seal between the waste outlet hole and the waste fitting =  $\geq 60$  mm