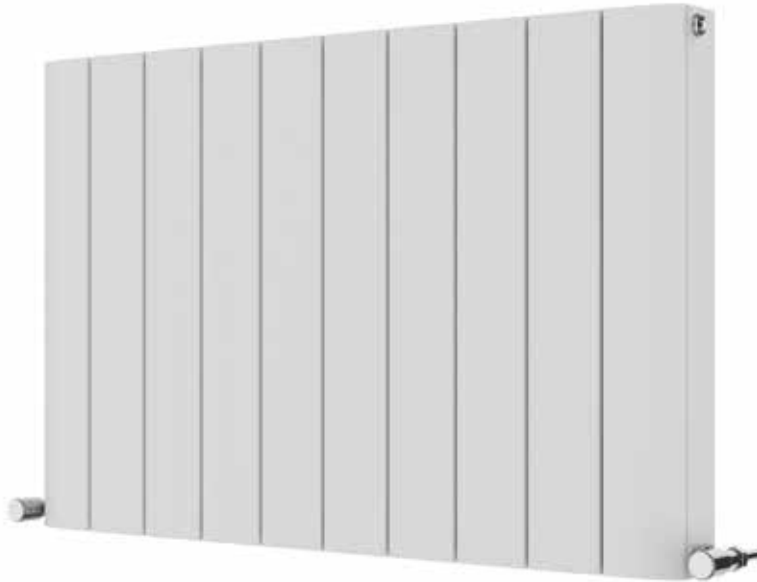


### Alumina 600 x 936mm Double Panel Horizontal Radiator (Heating Only)

ALHDP-0600936WH

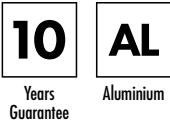


#### Specification

Finish	White
Dimensions	600(h) x 936(w) x 117.5(d) mm
Weight	11.4kg
BTU Output/Hr	4780
Watts @ $\Delta T50^{\circ}C$	1401
Bars	10
Pipe Centres	-
Electric Element Wattage	-
End to End Connections	936mm
Radiator Columns	-
Material	Aluminium

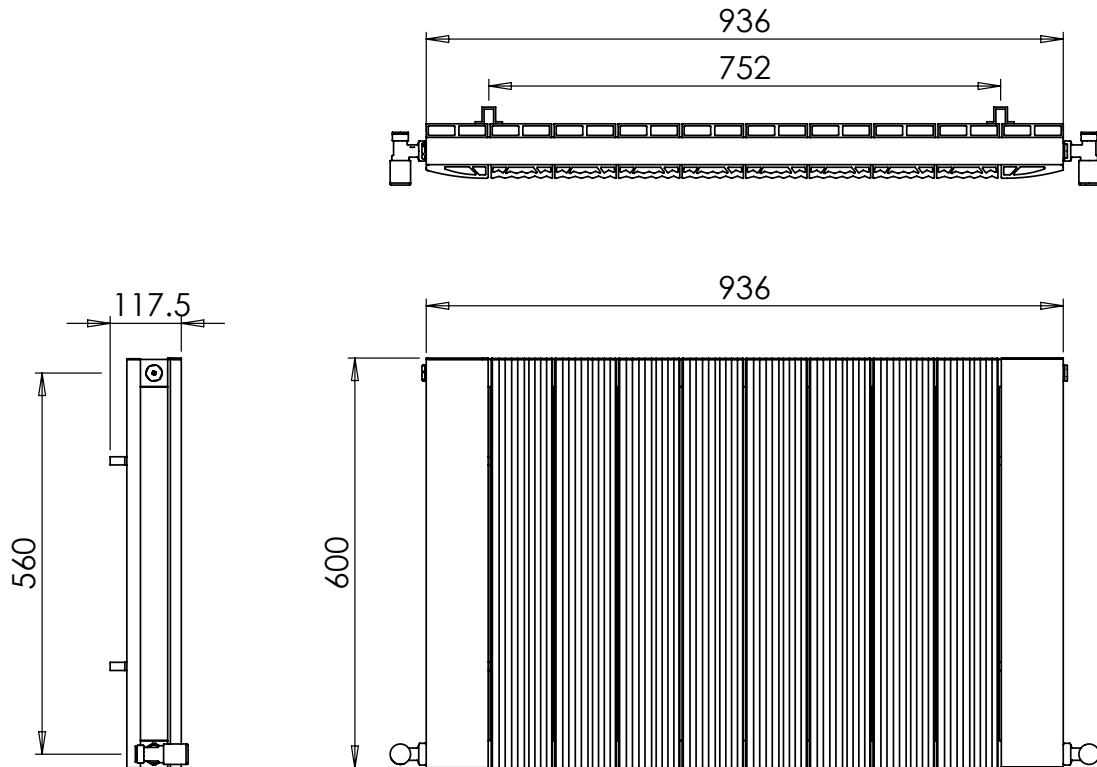
All heat outputs are shown at  $50^{\circ}C \Delta t$  in compliance with BSEN442. Watts and Btu's apply to Heating and Dual Fuel only.

#### Key Features + Benefits



#### Certifications + Approvals

### Alumina 600 x 936mm Double Panel Horizontal Radiator (Heating Only) ALHDP-0600936WH



\*Dual energy models require a conversion-tee, consult relevant drawing for details.