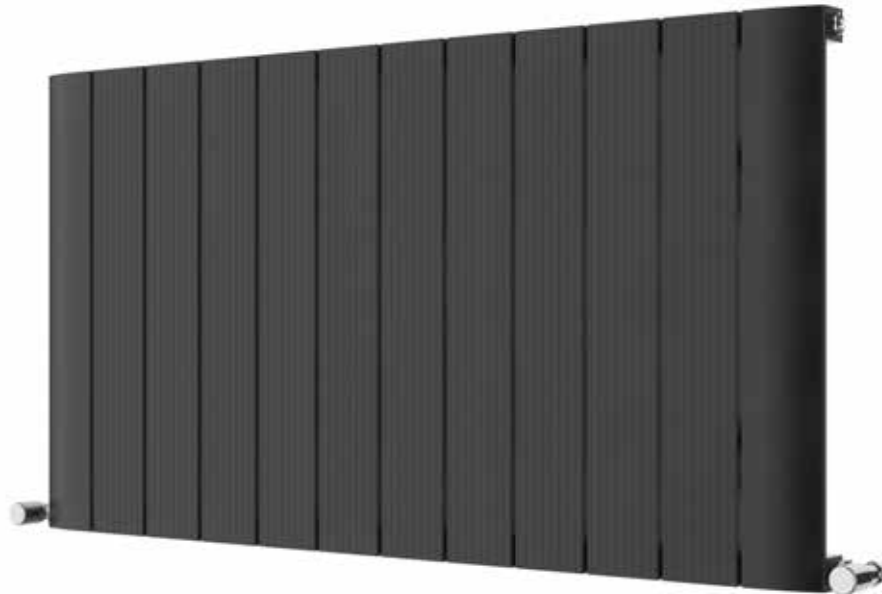


### Alumina 600 x 1135mm Single Panel Horizontal Radiator (Heating Only) ALH-0601135AT

#### Specification

Finish	Anthracite
Dimensions	600(h) x 1135(w) x 76.5(d) mm
Weight	8.6kg
BTU Output/Hr	3450
Watts @ $\Delta T50^{\circ}\text{C}$	1011
Bars	12
Pipe Centres	-
Electric Element Wattage	-
End to End Connections	1135mm
Radiator Columns	-
Material	Aluminium

All heat outputs are shown at  $50^{\circ}\text{C}$   $\Delta t$  in compliance with BSEN442. Watts and Btu's apply to Heating and Dual Fuel only.



#### Key Features + Benefits



Years  
Guarantee

Aluminium

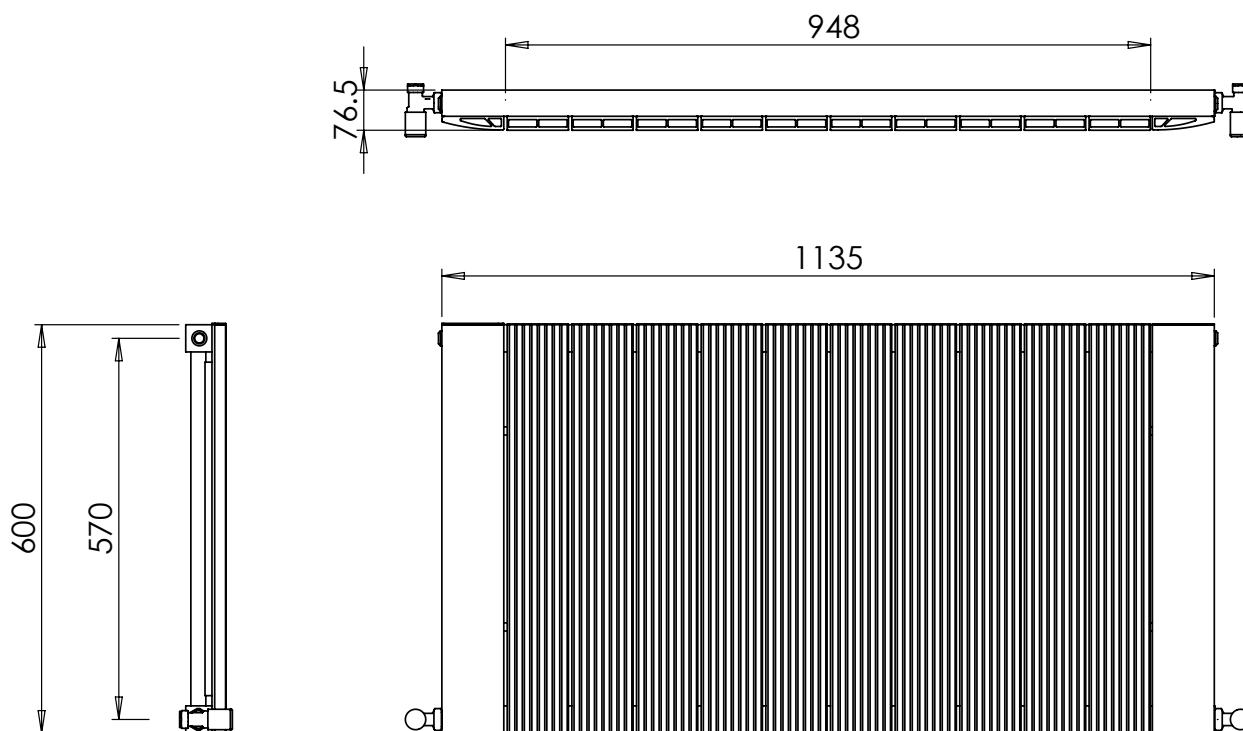
#### Certifications + Approvals

Vogue (UK) Ltd

Strawberry Lane, Willenhall, West Midlands, WV13 3RS. Technical Support – Tel: +44(0) 1902 387000 Email: sales@vogueuk.co.uk

All information on the data sheet is correct at the time of publication. All measurements are approximate and subject to standard tolerances.

### Alumina 600 x 1135mm Single Panel Horizontal Radiator (Heating Only) ALH-0601135AT



\*Dual energy models require a conversion-tee, consult relevant drawing for details.

**Vogue (UK) Ltd**  
Strawberry Lane, Willenhall, West Midlands, WV13 3RS. Technical Support – Tel: +44(0) 1902 387000 Email: sales@vogueuk.co.uk

All information on the data sheet is correct at the time of publication. All measurements are approximate and subject to standard tolerances.