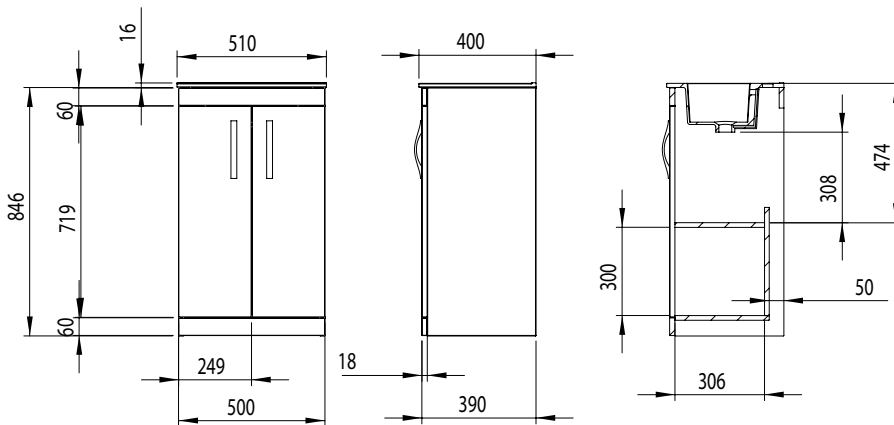


Alpha 500mm Floor Standing Two Door Basin Unit INST045251, INST045252



Specification

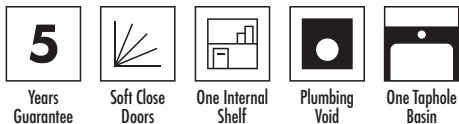
Finish	Gloss White (INST045251) Gloss Light Grey (INST045252)
Dimensions	846(h) x 510(w) x 390(d) mm
Weight	20.6kg
Carcass Thickness	16mm
Carcass Material	MFC
Carcass Finish	Painted
Internal Cabinet Colour	As exterior
Plumbing Void	50mm
Cabinet Fixing Type	-
Door / Drawer Finish	Painted
Door / Frontal Material	MDF
Number of Doors	Two
Number of Drawers	None
Number of Internal Shelves	One (Fixed)
Door Handling	-
Hinge / Runner Type	Soft Close
Handle / Knob	Two chrome plated handles (supplied)
Handle Centres	128mm
Pre-Drilled / Marked for handles	Pre-Drilled



FAQs

Please see next page

Key Features + Benefits



Certifications + Approvals

Roper Rhodes

Brassmill Lane Trading Estate, Bath, BA1 3JF. Technical Support – Tel: 01225 303 900 Email: sales@roperrhodes.co.uk

All information on the data sheet is correct at the time of publication. All measurements are approximate and subject to standard tolerances.

Alpha 500mm Floor Standing Two Door Basin Unit INST045251, INST045252

FAQs

Q – How big is the plumbing void at the back of the furniture?

A – 50mm.

Q – Are the handles fitted?

A – No, they are fixed to back of door and need re-fixing to front.

Q – How deep/wide is the unit with doors open?

A – Approx depth with 90° hinge 700mm. Width at 180° 1300mm.

Q – Is the shelf removable?

A – No, the shelf is fixed.

Q – What is the shelf capacity?

A – Shelf max depth: 306mm.

Q – How many shelves are there?

A – There are two shelves within the unit.

Q – Are the shelves adjustable? What Height?

A – No, you can't reposition the shelves.

Q – What is the interior finish of the unit?

A – The unit interior is the same finish as the exterior.