

### Alpha 500mm Ceramic One Taphole Basin INST045057

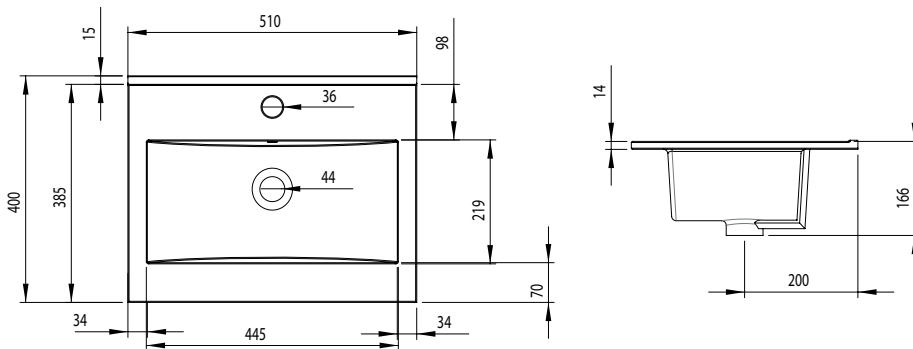


#### Specification

Finish	White
Dimensions	166(h) x 510(w) x 400(d) mm
Weight	8.3kg
Basin Material	Ceramic
Overflow	Yes
Chainstay Hole	No
Reversible	No
Taphole Positioning	Centre
Tap	Not included
Waste	Not included

#### FAQs

Please see next page



#### Key Features + Benefits



5  
Years  
Guarantee



One Taphole  
Basin

#### Certifications + Approvals

#### Roper Rhodes

Brassmill Lane Trading Estate, Bath, BA1 3JF. Technical Support – Tel: 01225 303 900 Email: sales@roperrhodes.co.uk

All information on the data sheet is correct at the time of publication. All measurements are approximate and subject to standard tolerances.

### Alpha 500mm Ceramic One Taphole Basin INST045057

#### FAQs

**Q – What is the maximum water depth of the basin?**

A – 93mm up to the overflow.

**Q – What is the internal depth?**

A – The internal depth is 132mm.

**Q – What is the depth of the Tapledge?**

A – The Tapledge is 115mm deep.

**Q – What is the distance from the Taphole centre to Basin Waste?**

A – 130mm.

**Q – Can the basin be wall mounted?**

A – No.