

Alpha 600mm Ceramic One Taphole Basin INST045056

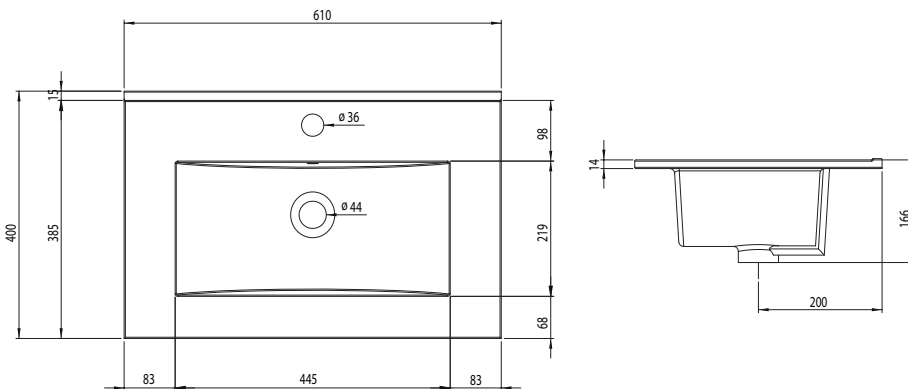


Specification

Finish	White
Dimensions	166(h) x 610(w) x 400(d) mm
Weight	9.8kg
Basin Material	Ceramic
Overflow	Yes
Chainstay Hole	No
Reversible	No
Taphole Positioning	Centre
Tap	Not included
Waste	Not included

FAQs

Please see next page



Key Features + Benefits



5
Years
Guarantee



One Taphole
Basin

Certifications + Approvals

Roper Rhodes

Brassmill Lane Trading Estate, Bath, BA1 3JF. Technical Support – Tel: 01225 303 900 Email: sales@roperrhodes.co.uk

All information on the data sheet is correct at the time of publication. All measurements are approximate and subject to standard tolerances.

Alpha 500mm Ceramic One Taphole Basin INST045056

FAQs

Q – What is the maximum water depth of the basin?

A – 93mm up to the overflow.

Q – What is the internal depth?

A – The internal depth is 132mm.

Q – What is the depth of the Tapledge?

A – The Tapledge is 115mm deep.

Q – What is the distance from the Taphole centre to Basin Waste?

A – 130mm.

Q – Can the basin be wall mounted?

A – No.