

Adore 600 x 900mm 4 Column Radiator AD4C-060-20-0900



Specification

| | |
|--------------------------|-----------------------------|
| Finish | White |
| Dimensions | 600(h) x 900(w) x 140(d) mm |
| Weight | 35kg |
| BTU Output/Hr | 5589 |
| Watts @ Δ T50°C | 1638 |
| Bars | 20 |
| Pipe Centres | – |
| Electric Element Wattage | – |
| End to End Connections | 900mm |
| Radiator Columns | 4 |
| Material | Mild Steel |

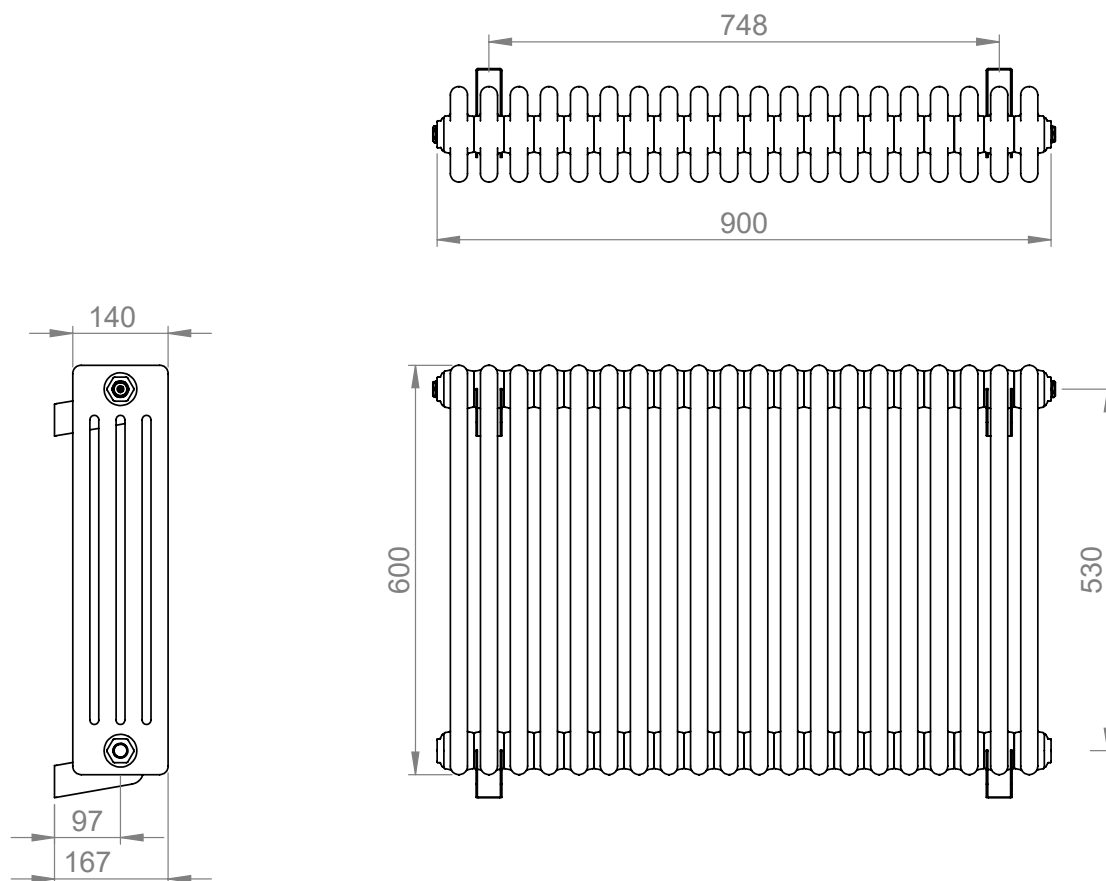
All heat outputs are shown at 50°C Δ t in compliance with BSEN442. Watts and Btu's apply to Heating and Dual Fuel only.

Key Features + Benefits



Certifications + Approvals

Adore 600 x 900mm 4 Column Radiator AD4C-060-20-0900



*Dual energy models require a conversion-tee, consult relevant drawing for details.

Vogue (UK) Ltd
Strawberry Lane, Willenhall, West Midlands, WV13 3RS. Technical Support – Tel: +44(0) 1902 387000 Email: sales@vogueuk.co.uk

All information on the data sheet is correct at the time of publication. All measurements are approximate and subject to standard tolerances.