

Adore 300 x 1340mm 4 Column Radiator AD4C-030-30-1340



Specification

Finish	White
Dimensions	300(h) x 1340(w) x 140(d) mm
Weight	27kg
BTU Output/Hr	4350
Watts @ Δ T50°C	1275
Bars	30
Pipe Centres	–
Electric Element Wattage	–
End to End Connections	1340mm
Radiator Columns	4
Material	Mild Steel

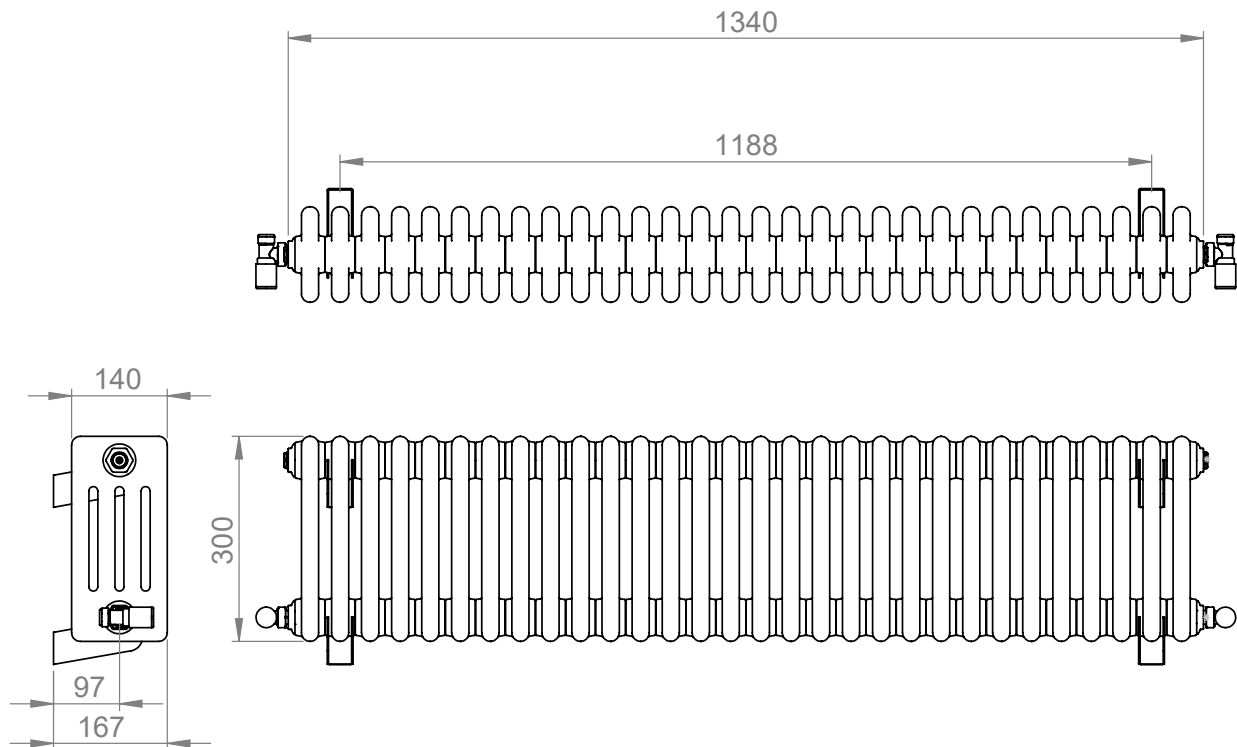
All heat outputs are shown at 50°C Δ t in compliance with BSEN442. Watts and Btu's apply to Heating and Dual Fuel only.

Key Features + Benefits



Certifications + Approvals

Adore 300 x 1340mm 4 Column Radiator AD4C-030-30-1340



*Dual energy models require a conversion-tee, consult relevant drawing for details.

Vogue (UK) Ltd
Strawberry Lane, Willenhall, West Midlands, WV13 3RS. Technical Support – Tel: +44(0) 1902 387000 Email: sales@vogueuk.co.uk

All information on the data sheet is correct at the time of publication. All measurements are approximate and subject to standard tolerances.