

### Adore 750 x 812mm 3 Column Radiator AD3C-075-18-0812



#### Specification

Finish	White
Dimensions	750(h) x 812(w) x 100(d) mm
Weight	31kg
BTU Output/Hr	4606
Watts @ $\Delta$ T50°C	1350
Bars	18
Pipe Centres	–
Electric Element Wattage	–
End to End Connections	812mm
Radiator Columns	3
Material	Mild Steel

All heat outputs are shown at 50°C  $\Delta$ t in compliance with BSEN442. Watts and Btu's apply to Heating and Dual Fuel only.

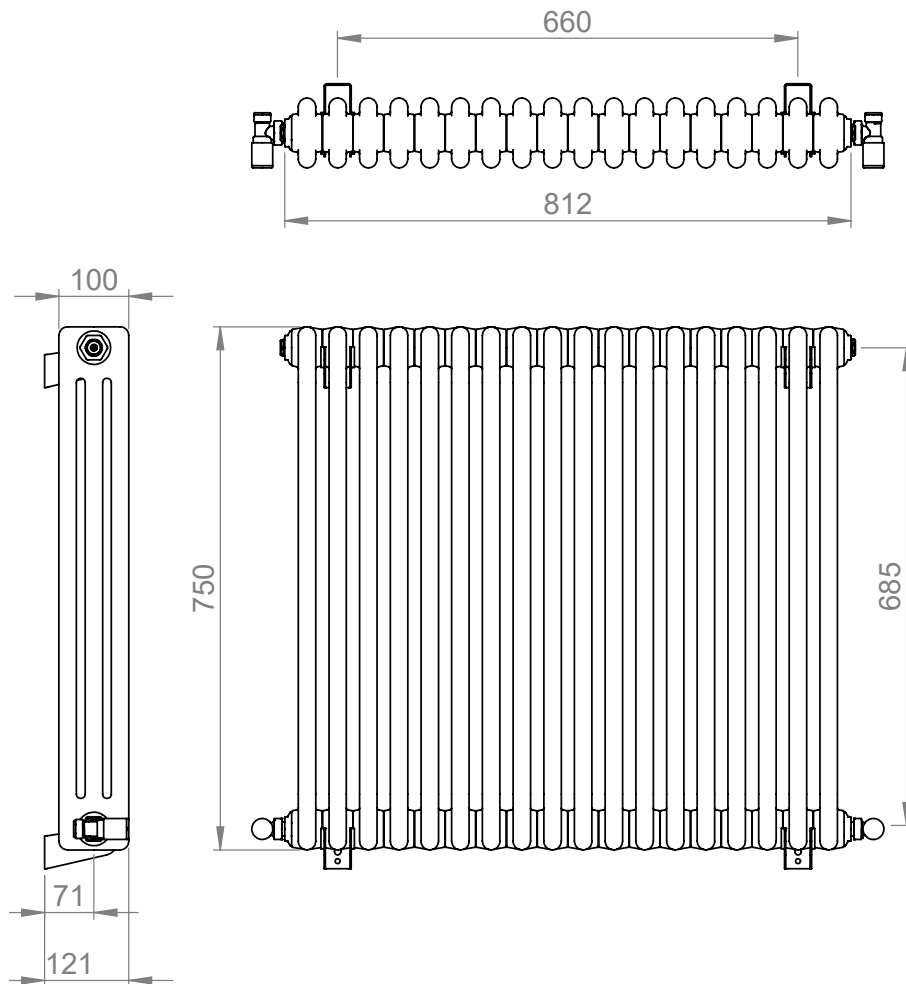
#### Key Features + Benefits



#### Certifications + Approvals

## Technical Data Sheet | Designer Radiators

### Adore 750 x 812mm 3 Column Radiator AD3C-075-18-0812



\*Dual energy models require a conversion-tee, consult relevant drawing for details.