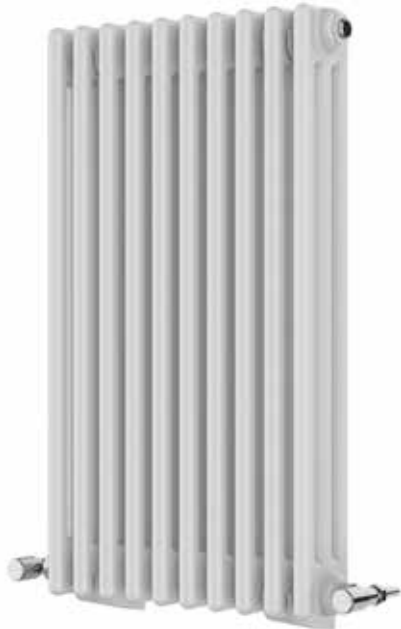


Adore 750 x 460mm 3 Column Radiator AD3C-075-10-0460



Specification

Finish	White
Dimensions	750(h) x 460(w) x 100(d) mm
Weight	17kg
BTU Output/Hr	2559
Watts @ Δ T50°C	750
Bars	10
Pipe Centres	-
Electric Element Wattage	-
End to End Connections	460mm
Radiator Columns	3
Material	Mild Steel

All heat outputs are shown at 50°C Δ t in compliance with BSEN442. Watts and Btu's apply to Heating and Dual Fuel only.

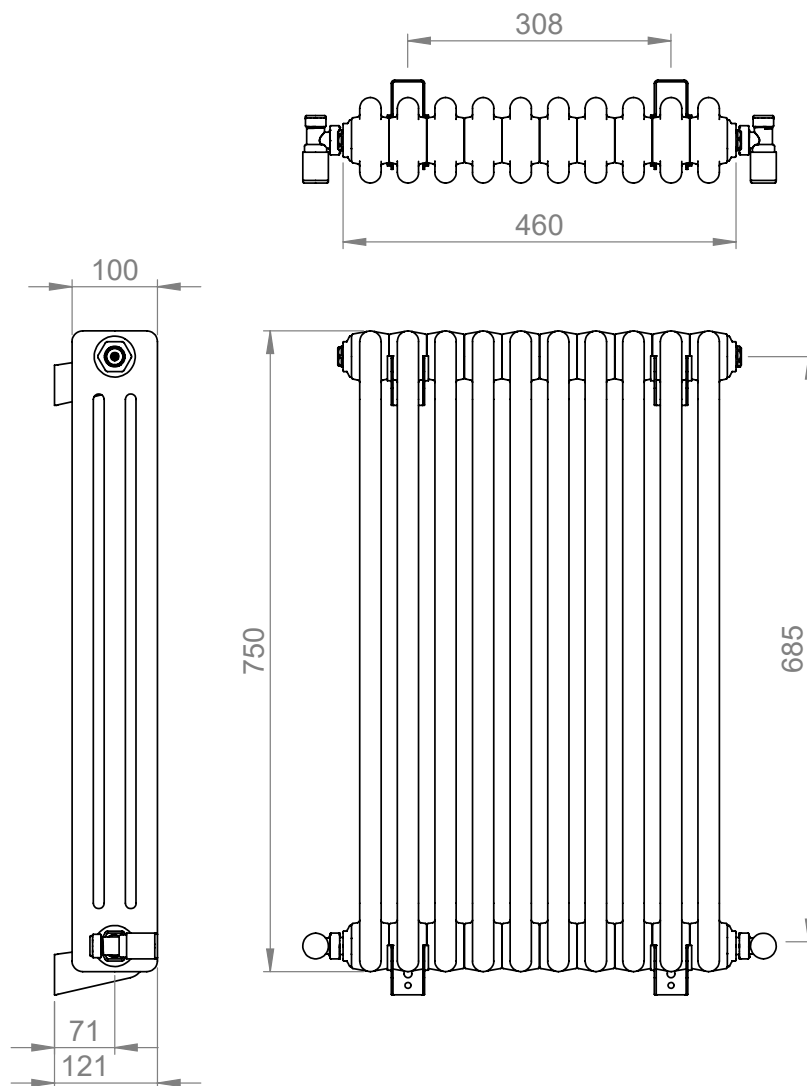
Key Features + Benefits



Certifications + Approvals

Technical Data Sheet | Designer Radiators

Adore 750 x 460mm 3 Column Radiator AD3C-075-10-0460



*Dual energy models require a conversion-tee, consult relevant drawing for details.