

Adore 600 x 900mm 3 Column Radiator AD3C-060-20-0900



Specification

Finish	White
Dimensions	600(h) x 900(w) x 100(d) mm
Weight	29kg
BTU Output/Hr	4156
Watts @ $\Delta T50^{\circ}\text{C}$	1218
Bars	20
Pipe Centres	–
Electric Element Wattage	–
End to End Connections	900mm
Radiator Columns	3
Material	Mild Steel

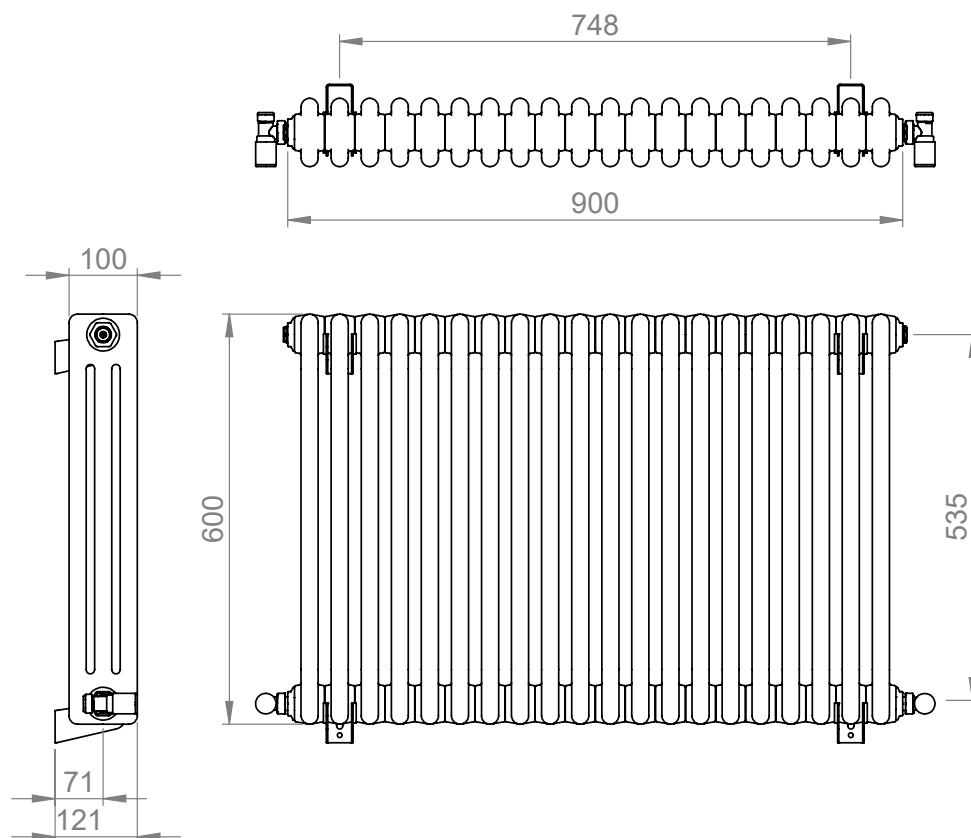
All heat outputs are shown at 50°C Δt in compliance with BSEN442. Watts and Btu's apply to Heating and Dual Fuel only.

Key Features + Benefits



Certifications + Approvals

Adore 600 x 900mm 3 Column Radiator AD3C-060-20-0900



*Dual energy models require a conversion-tee, consult relevant drawing for details.

Vogue (UK) Ltd
Strawberry Lane, Willenhall, West Midlands, WV13 3RS. Technical Support – Tel: +44(0) 1902 387000 Email: sales@vogueuk.co.uk

All information on the data sheet is correct at the time of publication. All measurements are approximate and subject to standard tolerances.