

### Adore 600 x 460mm 3 Column Radiator AD3C-060-10-0460



#### Specification

Finish	White
Dimensions	600(h) x 460(w) x 100(d) mm
Weight	14kg
BTU Output/Hr	2078
Watts @ $\Delta$ T50°C	609
Bars	10
Pipe Centres	–
Electric Element Wattage	–
End to End Connections	460mm
Radiator Columns	3
Material	Mild Steel

All heat outputs are shown at 50°C  $\Delta$ t in compliance with BSEN442. Watts and Btu's apply to Heating and Dual Fuel only.

#### Key Features + Benefits

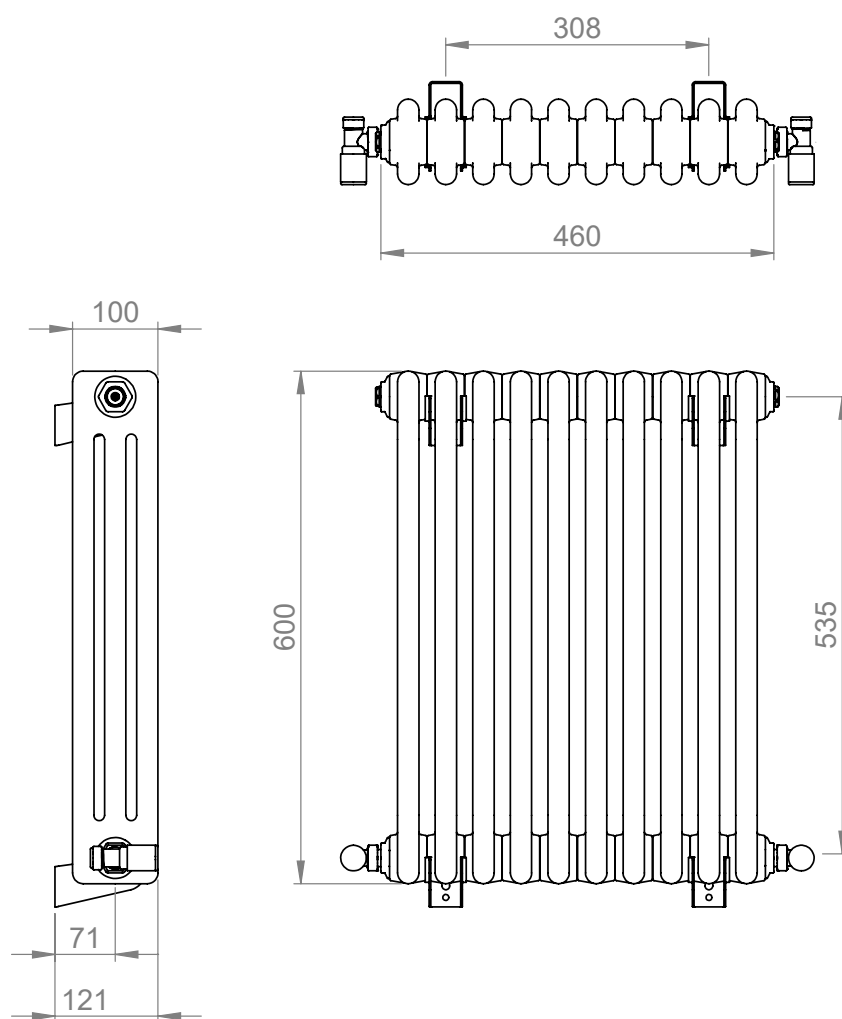


15  
Years  
Guarantee

MS  
Mild  
Steel

#### Certifications + Approvals

### Adore 600 x 460mm 3 Column Radiator AD3C-060-10-0460



\*Dual energy models require a conversion-tee, consult relevant drawing for details.

**Vogue (UK) Ltd**  
Strawberry Lane, Willenhall, West Midlands, WV13 3RS. Technical Support – Tel: +44(0) 1902 387000 Email: sales@vogueuk.co.uk

All information on the data sheet is correct at the time of publication. All measurements are approximate and subject to standard tolerances.