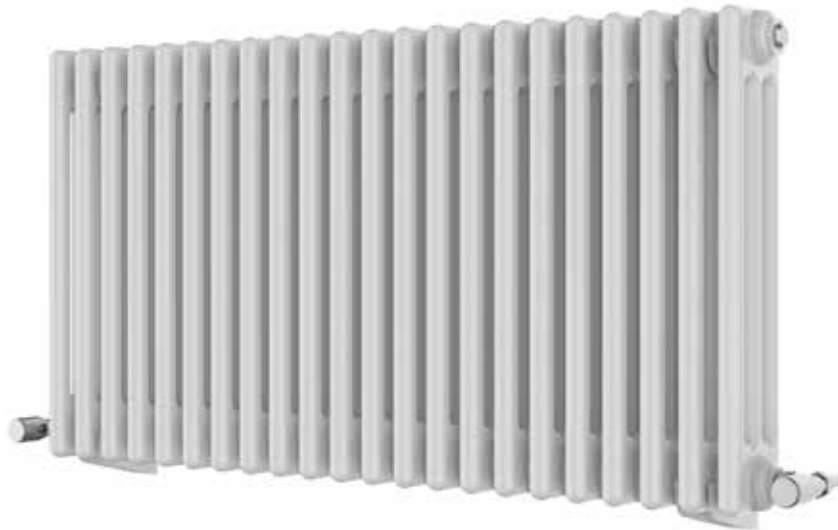


### Adore 500 x 988mm 3 Column Radiator AD3C-050-22-0988



#### Specification

Finish	White
Dimensions	500(h) x 988(w) x 100(d) mm
Weight	27kg
BTU Output/Hr	3859
Watts @ $\Delta$ T50°C	1131
Bars	22
Pipe Centres	–
Electric Element Wattage	–
End to End Connections	988mm
Radiator Columns	3
Material	Mild Steel

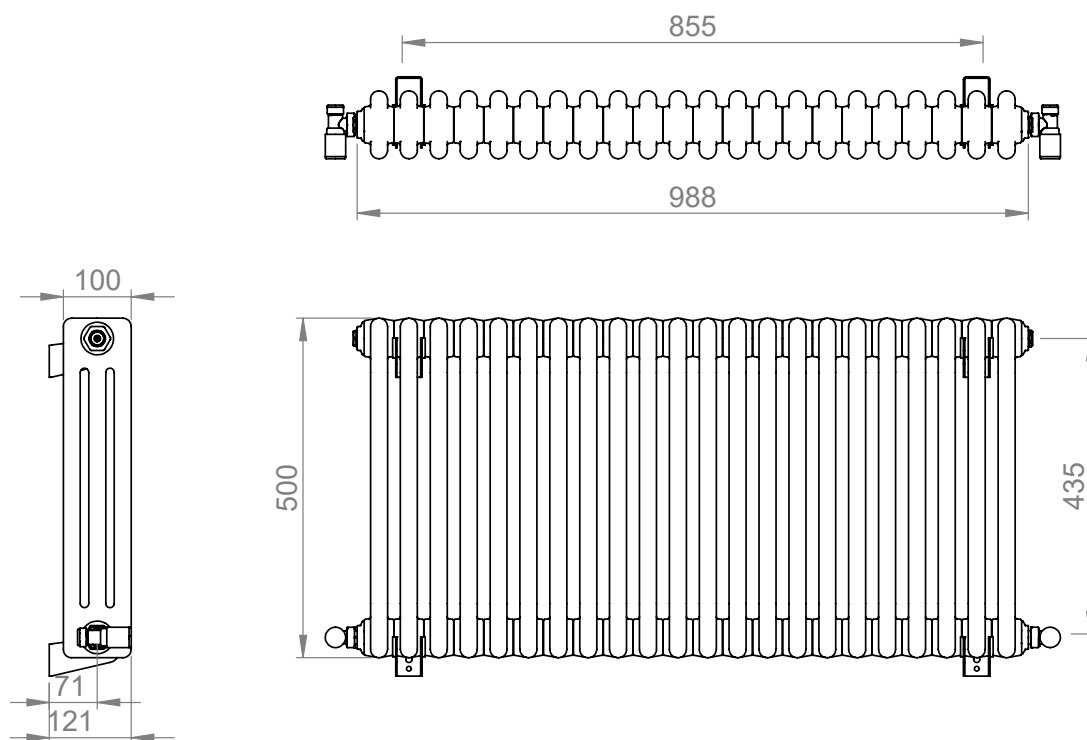
All heat outputs are shown at 50°C  $\Delta$ t in compliance with BSEN442. Watts and Btu's apply to Heating and Dual Fuel only.

#### Key Features + Benefits



#### Certifications + Approvals

### Adore 500 x 988mm 3 Column Radiator AD3C-050-22-0988



\*Dual energy models require a conversion-tee, consult relevant drawing for details.